

Multi-spectral PTZ Network Camera

PC5S4



Product Feature

- Clearer imaging with the latest generation 12 μ m uncooled infrared detector and leading infrared image algorithm.
- Visual and thermal dual-spectrum imaging, meet the needs of 24/7 safety surveillance.
- Support motorized-focus and continuous zoom infrared lens to satisfy long-distance detection
- Support intelligent behavior analysis, such as tripwire detection and region intrusion detection.
- Support intelligent smoke and fire detection and infrared video analysis to meet the requirement of forest fire prevention and intelligent firefighting.
- Integrated with high-speed and high-accuracy Pan/Tilt, encapsulation rating IP66
- Support single-IP, dual-channel network video transmission, transmit visible video and infrared video simultaneously.
- Support ONVIF standard protocols, provide SDK, matched NVR and software

Product Specifications

| Technical Index | | Multi-spectral PTZ | | |
|---------------------------|-----------------------|--|-----------|-----------------------|
| Thermal | Sensor Type | VOx uncooled FPA detector | | |
| | Spectral Range | 8~14μm | | |
| | NETD | ≤40mK(@25°C,F#1.0,25Hz) | | |
| | Max. Resolution | 1280×1024 | | |
| | Pixel Pitch | 12μm | | |
| | Focal Length | 100mm | 150mm | 30~150mm |
| | Focus Mode | Auto/Manual/One-shot Auto | | |
| | FOV | 8.8°×7.0° | 5.9°×4.7° | 28.7°×23.1°~5.9°×4.7° |
| | F number | F1.0 | F1.2 | F1.0~F1.2 |
| | Spatial Resolution | 0.12mrad | 0.08mrad | 0.4~0.08mrad |
| | Color Palettes | 20 modes selectable such as Blackhot/Whitehot/Rainbow,etc. | | |
| | Image Stabilization | Support EIS | | |
| Visible | Image Sensor | 1/1.25 inch 4MP CMOS | | |
| | Max. Resolution | 2688×1520 | | |
| | Focal Length | 10~550mm | | |
| | Focus Mode | Auto / Manual / One-shot auto | | |
| | FOV | 58.2°×34.8°~1.2°×0.7° | | |
| | WDR | Support | | |
| | Day /Night | Manual/Auto | | |
| | Defog | Support optical defog | | |
| IR Illuminator (Optional) | Laser Spectral Range | 808nm | | |
| | Illuminating Distance | 800m, 1500m | | |
| LRF (Optional) | Laser Spectral Range | 905nm, 1535nm | | |
| | Measurement Distance | 2km, 3km, 6km | | |
| PTZ | Pan Range | 360° continuous | | |
| | Pan Speed | 0.1°~100°/s | | |
| | Tilt Range | -90°~+90° | | |
| | Tilt Speed | 0.1°~60°/s | | |

| Technical Index | | Multi-spectral PTZ |
|-----------------|-------------------------|---|
| | Scan Mode | Preset/Tour/Area Scan/Linear Scan/Pattern Scan/Comprehensive Patrol |
| Network | Protocols | TCP/IP,UDP,ICMP,HTTP,HTTPS,FTP,DHCP,DNS,RTSP,RTCP,IGMP,SMTP, NTP, QoS |
| | Interoperability | ONVIF/SDK |
| | Simultaneous live view | Up to 20 channels |
| | User Management | Up to 20users, 2 levels: Administrator and User |
| | Browser | Edge, Google Chrome, Mozilla Firefox,etc. |
| Video | Max. Resolution | 2688×1520(Visible), 1280×1024 (Thermal) |
| | Image Encoding Format | JPEG |
| | Audio Compression | G.711A/G.711Mu/PCM/AAC/MPEG2-Layer2 |
| | Video Compression | H.264/H.265/MJPEG |
| | Main Stream | Visible: 50Hz:25fps(2688×1520,2560×1440, 1920×1080) 60Hz:30fps(2688×1520,2560×1440,1920×1080) Thermal: 50Hz:25fps(1280×1024,1024×768) |
| | Sub Stream | Visible: 50Hz:25fps(1920×1080,1280×720,704×576,352×28) 60Hz:30fps(1920×1080,1280×720,704×480,352×24) Thermal: 50Hz:25fps(640×512,320×256) |
| Smart Function | Smoke&Fire Detection | Yes |
| | Fire Point Detection | Yes |
| | Temperature Measurement | Support fire point temperature measurement |
| | Radar Linkage | Yes |
| | Zoom Linkage | Yes |
| | Smart Record | Alarm trigger recording, disconnection trigger recording (continue transmission after connection) |
| | Smart Alarm | Support alarm trigger of network disconnection, IP address conflict, full memory, memory error, illegal access and abnormal detection |
| | Smart Detection | Support smart video analysis such as tripwire, boundary-crossing, and region intrusion, support human/vehicle/vessel classification |

| Technical Index | | Multi-spectral PTZ |
|------------------|-------------------------|--|
| | Alarm Linkage | Recording/Snapshot/Sending Email/PTZ linkage/Alarm output |
| System Interface | Power Supply | DC 48V±15% |
| | Communication Interface | RJ45 self-adaptive 10M/100M Ethernet port |
| | Audio Interface | 1channel input, 1 channel output |
| | Alarm Interface | 1-channel input, 1-channel output |
| | Storage Interface | Support Micro SD card (Max.512G) |
| | Communication Interface | 1-channel RS485 |
| General | Operating Conditions | -40℃~+70℃;<90%RH |
| | Protection Grade | IP66,TVS 6000V Lightning Protection, Surge Protection and Voltage Transient Protection |
| | Power Consumption | Max.300W |
| | Dimensions(mm) | 623.6mm×398.5mm×350mm(W×H×L) |
| | Weight | 30KG |

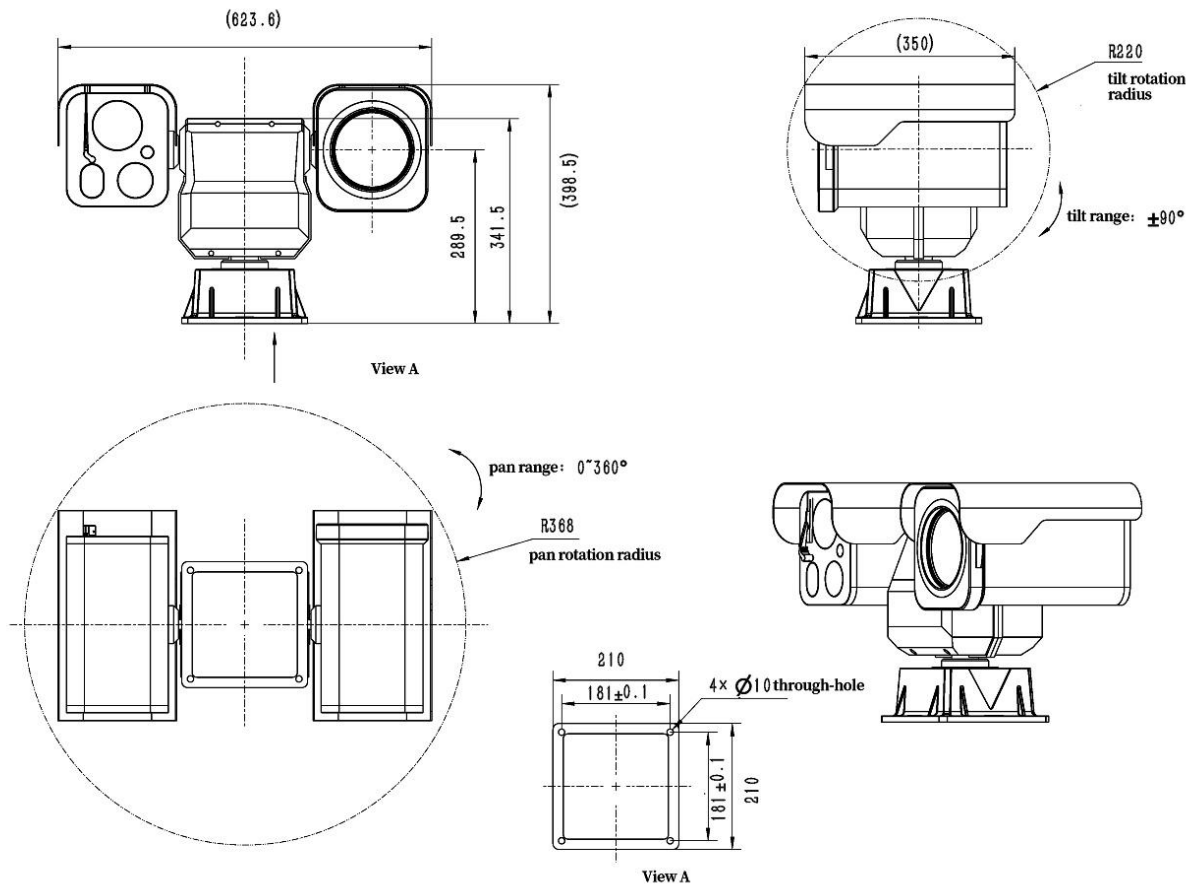
Effective Range

The recommended distance of detection, recognition and identification for human (1.8×0.5m) and vehicle (1.4×4.0m) are as follows:

- DD stands for Detection Distance;
- RD stands for Recognition Distance;
- ID stands for Identification Distance;

| Lens | DD (Vehicle) | DD (Man) | RD (Vehicle) | RD (Man) | ID (Vehicle) | ID (Man) |
|-------|--------------|----------|--------------|----------|--------------|----------|
| 100mm | 12.8km | 4.2km | 3.2km | 1.0km | 1.6km | 0.5km |
| 150mm | 19.2km | 6.3km | 4.8km | 1.6km | 2.4km | 0.8km |

Structural Drawings



This datasheet is subject to change without prior notice. Please contact us to get the latest datasheet.