

Dual-spectrum Bullet Camera

FC225T



Product Features

- With the latest 12 μ m thermal imaging detector and advanced image algorithm, it can make farther and clearer images.
- Visible imaging and thermal imaging can meet the requirement for 24/7 security monitoring.
- Smart event analysis such as tripwire intrusion and area intrusion are available, support AI human-vehicle classification.
- Support professional temperature measurement analysis tools and smart fire detecting algorithm.
- Support multiple event linkage alarm and sound-light alarm.
- Integrated body design with encapsulation rating IP66.
- Support DC12V or PoE.
- Support ONVIF standard protocols, SDK and accompanying NVR and software are available.

Product Specifications

Technical Specifications		Dual-spectrum bullet camera		
Thermal Parameters	Detector Type	VOx, uncooled FPA detectors		
	Spectral Range	8 ~ 14μm		
	NETD	≤40mK@25°C,F#1.0		
	Max. Resolution	256×192		
	Pixel Pitch	12μm		
	Focal Length	3.2mm	7mm	10mm
	Focus Type	Athermal fixed focus		
	FOV	56.0°×42.2°	24.8°×18.7°	17.5°×11.3°
	F#	1.1	1	1
	Ifov	3.75mrad	1.7mrad	1.2mrad
	Color Palettes	20 palettes available such as Whitehot/Blackhot/Rainbow.		
Visible Parameters	Sensor	5MP 1/2.8" Progressive Scan CMOS		
	Max. Resolution	2560×1920		
	Focal Length	4mm	8mm	12mm
	Focus Type	Fixed focus		
	FOV	82°×59°	39°×29°	25°×18°
	Min. Illumination	Color:0.005Lux ,Black&white:0.0005Lux , IR illuminator on:0Lux		
	Wide Dynamic	120dB		
	Day/Night Conversion	ICR auto conversion/ Electronic color to B/W		
	Digital Noise Reduction	3D NR		
	IR Illuminator	Max distance 30m		
Dual-spectrum Parameters	Dual-Spectrum Fusion	Support the thermal image to fuse visible image to improve the image details		
	Temperature Information Overlay	The camera displays a digital camera image with superimposed thermal imaging temperature measurement information		
Network Functions	Network Protocol	IPv4,HTTP,HTTPS,FTP,SMTP,UPnP,DNS,DDNS,NTP,RTSP,RTCP,RTP,TCP,UDP,IGMP,ICMP,DHCP		
	Interoperability	ONVIF, SDK		
	Number of Videos Previewed Simultaneously	Support up to 8 channels		
	User Management	Up to 32 users, divided into 3 levels: administrators, operators and users		

Technical Specifications		Dual-spectrum bullet camera
	Browser	Support browsers such as Google, Firefox, Edge (chrome kernel), Chinese and English are supported
Video Parameters	Max. Resolution	2560×1920(visible),1280×960(thermal)
	Image Format	JPEG
	Audio Compression Standard	G.711a/G.711u/AAC/PCM
	Video Compression Standard	H.264/H.265
	Main Stream	Visible: 50Hz:25fps(2560×1920, 2560×1440,1920×1080) 60Hz:30fps(2560×1920, 2560×1440, 1920×1080) Thermal: 50Hz:25fps(1280×960, 1024×768) 60Hz:30fps(1280×960, 1024×768)
Substream	Visible 50Hz:25fps(1920×1080, 1280×720, 704×576, 352×288) 60Hz:30fps(1920×1080, 1280×720, 704×480, 352×240) Thermal: 50Hz:25fps(640×480, 320×288) 60Hz:30fps(640×480, 320×240)	
Temperature Measurement	Measuring Range	-20℃~150℃, 0℃~+550℃
	Measuring Accuracy	±2℃ or ±2% (The larger value shall prevail)
	Temperature Analysis	Support full frame, spot, line, region temperature measurement rules and linkage alarms
Smart Functions	Fire Warning	Support fire detection
	Smart Video	Alarm trigger recording, disconnection trigger recording
	Smart Alarming	Support triggering alarm and linkage alarm of network disconnection, IP address conflict, memory error, illegal access and burn alarm
	Smart Detecting	Support event analysis functions such as area intrusion, tripwire intrusion, dynamic detection analysis, etc.
	Voice Intercom	Support two-way voice intercom
	Linkage Alarm	Video/image/mail/ alarm output / sound and light alarm (built-in)
System Interface	Power Interface	DC 12V±25% / PoE (802.3af)
	Communication Interface	1 RJ45 10M/100M adaptive Ethernet port
	Audio Input	1 channel audio input

Technical Specifications		Dual-spectrum bullet camera
	Audio Output	1 channel audio output
	Alarm Input	2 channel
	Alarm output	1 channel
	Storage Interface	Micro SD memory (maximum 256G)
	Reset Button	Support
	RS485	1 channel RS485 and support Pelco protocol
General Specification	Operating Temperature & Humidity	-40°C ~ +70°C ; <95%RH
	Protection Level	IP66
	Power Consumption	Max.< 6W
	Dimension(mm)	265×99×87 (minimum length can be adjusted to 253mm)
	Weight	950g

Effective Range

The recommended distance of detection, recognition and identification for human (1.8×0.5m) and vehicle (1.4×4.0m) are as follows:

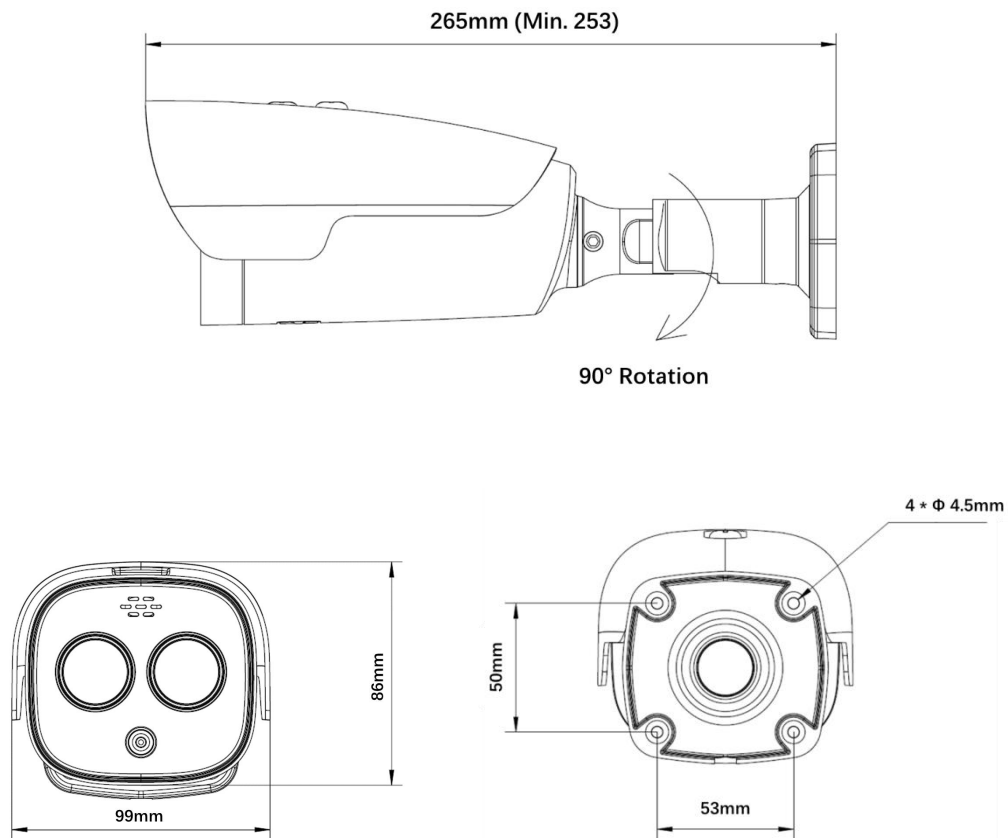
- DD stands for Detection Distance;
- RD stands for Recognition Distance;
- ID stands for Identification Distance;

Equipped Lens	DD (vehicle)	DD (human)	RD (vehicle)	RD (human)	ID (vehicle)	ID (human)
3.2mm	409m	133m	102m	33m	51m	17m
7mm	894m	292m	224m	73m	112m	36m
10mm	1278m	417m	319m	104m	160m	52m

Effective Range for Intelligent Analysis

Equipped Lens	Target Recognition Distance (human)	Target Recognition Distance (vehicle)	Temperature Measurement (Target size:2mx2m)	Temperature Measurement (Target size:1mx1m)	Fire Detection (Target size:2mx2m)	Fire Detection (Target size:1mx1m)
3.2mm	25m	77m	89m	44m	356m	178m
7mm	55m	168m	194m	97m	750m	389m
10mm	78m	240m	278m	139m	1000m	550m

Structural Drawings



This datasheet is subject to change without prior notice. Please contact us to get the latest datasheet.