

Dual-spectrum Bullet Camera

FC465T



Product Features

- With the latest 12 μ m thermal imaging detector and advanced image algorithm, it can make farther and clearer images.
- Visible imaging and thermal imaging can meet the requirement for 24/7 security monitoring.
- Smart event analysis such as tripwire intrusion and area intrusion are available.
- Support professional temperature measurement analysis tools and smart fire detecting algorithm.
- Support multiple event linkage alarm and sound-light alarm.
- Integrated body design with encapsulation rating IP66.
- Support DC12V or PoE.
- Support ONVIF standard protocols, SDK and accompanying NVR and software are available.

Product Specifications

Technical Specifications		Dual-spectrum Bullet Camera
Thermal Parameters	Detector Type	VOx, uncooled FPA detectors
	Spectral Range	8~14μm
	NETD	≤40mK(@25°C,F#1.0,25Hz)
	Max. Resolution	640×512
	Pixel Pitch	12μm
	Focal Length	4.1mm
	Focus Type	Athermal fixed focus
	FOV	100°×82°
	F#	1.0
	IFOV	2.93mrad
	Palette	20 palettes available such as Whitehot/Blackhot/Rainbow.
Visible Parameters	Sensor	5MP 1/2.8" Progressive Scan CMOS
	Max. Resolution	2560×1920
	Focal Length	2.8mm
	FOV	115°×80°
	Day/Night Conversion	ICR auto conversion/ Electronic color to B/W
	IR Illuminator	Max 40m
Dual-spectrum Parameters	Dual-Spectrum Fusion	Support the thermal image to fuse visible image to improve image details
	PIP	Support thermal image overlaid on visual image in PIP mode
Network Functions	Network Protocol	IPv4,HTTP,HTTPS,QoS,FTP,SMTP,UPnP,SNMP,DNS,DDNS,NTP,RTSP,RTCP,RTP,TCP,UDP,IGMP,ICMP,DHCP
	Interoperability	ONVIF, GB28181, SDK
	Number of Videos Previewed Simultaneously	Support up to 20 channels
	User Management	Up to 20 users, two levels: administrator and user
	Browser	Support IE , Chrome browser, Chinese and English are supported.
	Max. Resolution	2560×1920(visible),1280×1024(thermal)
	Image Format	JPEG

Video Parameters	Audio Compression Standard	G.711a/G.711Mu/AAC/ MPEG2-Layer2
	Video Compression Standard	H.264/H.265
	Main Stream	Visible: 50Hz:25fps(2560×1920,2560×1440,1920×1080,1280×720) 60Hz:30fps(2560×1920,2560×1440,1920×1080,1280×720) Thermal: 50Hz:25fps(1280×1024,1024×768)
	Sub stream	Visible 50Hz:25fps(704×576,352×288) 60Hz:30fps(704×480,352×240) Thermal: 50Hz:25fps(640×512)
Temperature Measurement	Measuring Range	-20°C~+550°C
	Measuring Accuracy	±2°C or ±2% (The larger value shall prevail)
	Temperature Analysis	Support full frame, spot, line, region temperature measurement rules and linkage alarms
Smart Functions	Fire Warning	Support fire detection
	Smart Video	Alarm trigger recording, disconnection trigger recording
	Smart Alarming	Support triggering alarm and linkage alarm of network disconnection, IP address conflict, memory error, illegal access and burn alarm
	Smart Detecting	Support event analysis functions such as area intrusion, tripwire intrusion, etc.
	Voice Intercom	Support two-way voice intercom
	Linkage Alarm	Video/image/mail/ alarm output / sound and light alarm
System Interface	Power Interface	DC 12V±25% / PoE(802.3af)
	Communication Interface	1 RJ45 10M/100M adaptive Ethernet port
	Audio Interface	1 channel audio input, 1 channel audio output
	Alarm Interface	2-channel alarm input, 2-channel alarm output
	Storage Interface	Micro SD memory (maximum 256G)
	RS485	1 channel RS485

General Specification	Operating Temperature & Humidity	-40°C~+70°C; <95%RH
	Encapsulation Rating	IP66
	Power Consumption	≤8W
	Dimension (mm)	319.5×121.5×103.6mm
	Weight	≤1.8kg

Effective Range

The recommended distance of detection, recognition and identification for human (1.8×0.5m) and vehicle (1.4×4.0m) are as follows:

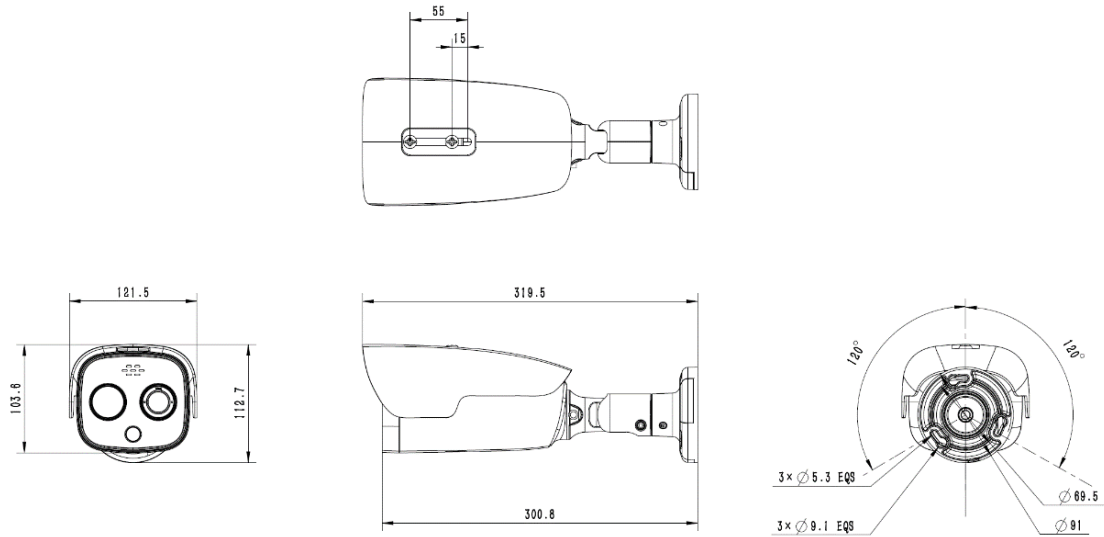
- DD stands for Detection Distance;
- RD stands for Recognition Distance;
- ID stands for Identification Distance;

Lens	DD (Vehicle)	DD (Human)	RD (Vehicle)	RD (Human)	ID (Vehicle)	ID (Human)
4.1mm	524m	171m	131m	43m	65m	21m

Effective Range for Intelligent Analysis

Equipped Lens	Target Recognition Distance (human)	Target Recognition Distance (vehicle)	Temperature Measurement (Target size:2mx2m)	Temperature Measurement (Target size:1mx1m)	Fire Detection (Target size:2mx2m)	Fire Detection (Target size:1mx1m)
4.1mm	32m	98m	114m	57m	456m	228m

Structural Drawings



This datasheet is subject to change without prior notice. Please contact us to get the latest datasheet.