

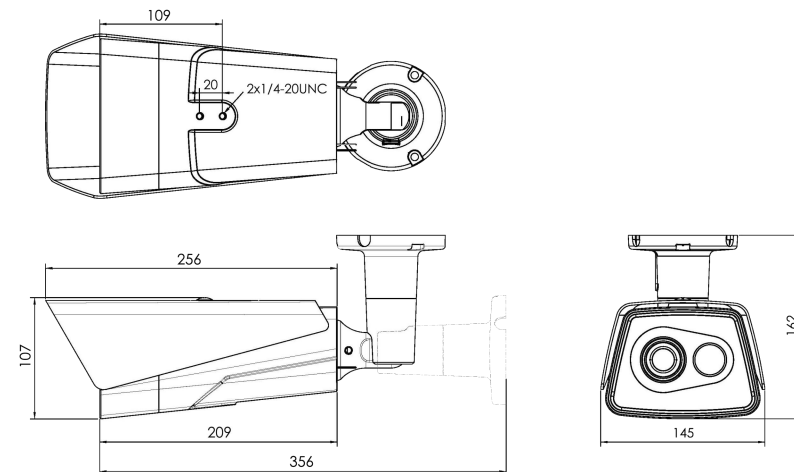
# HM Series

## Outdoor IP Dual Spectrum Thermal Bullet Camera

### Product Features

- High image quality: 12 $\mu$ m thermal sensor, 4MP 1/2.8'' CMOS visible sensor;
- Powerful behavior analysis algorithm: Line crossing, intrusion, region entry & exit;
- Thermal image smart function: Multiple targets types detection;
- Advanced fire/smoke detection algorithm;
- Excellent image enhancement: AGC, NUC, IDE, HDR, DNR
- Image effect: Image fusion, PIP;
- User-friendly platform: Standard ONVIF protocol, fast compatible with the third-party platform;
- Superior environmental adaptability: Applicable for extreme weather, including darkness, rain, fog, smog and etc.;
- Complete customizability.

### Dimensions



Thermal Module	HM3			HM6		
Resolution/Pixel pitch	384x288/12μm			640x512/12μm		
Spectral range	8-14μm					
NETD	≤35mK					
Focal Length	7mm	10mm	17mm	25mm	35mm	
FOV	HM3	36.4x27.7	26x19.6	15.4x11.6	10.5x7.9	7.5x5.7
	HM6	60.7x48.5	43.3x34.6	25.7x20.6	17.5x14	12.5x10
F Number	F1.0					
Focus Method	Motorized					
Image Sensor	Uncooled FPA					
Color Palette	14 color palettes					
Optical Module						
Focal Length	4mm	8mm	12mm			
FOV	80x56.7	41.2x23.6	28x23.9			
F-Number	F1.6					
Focus Method	Fixed					
Image Sensor	1/2.8" Progressive Scan CMOS					
Resolution	4MP					
Min. Illumination	Color: 0.01Lux@(F1.5,AGCON) B/W:0.001Lux@(F1.5, AGCON)					
Image Effect						
Thermal image process algorithm	AGC, NUC, IDE, HDR, DNR					
Picture in Picture	Support					
Bi-spectrum Image Fusion	Display the details of optical channel on thermal channel					
Smart Function						
VCA	4 VCA types (motion detection, cross line, intrusion, area entry and exit), max. 10 VCA rules					
Temperature Measurement	3 temperature measurement rule types, 30 rules in total (10 points, 10 areas, and 10 lines).					
Temperature Range	-20°C~+ 150°C (-4 °F to + 302°F)					
Temperature Accuracy	± 8 °C (± 14.4 °F)					
Fire Detection	Support					
Thermal image smart function	Human, vehicles, vessels, animals detection					

Video and Audio	
Main-Stream (Visible)	25fps (2592*1536,1920*1080,1280*720)
Sub-stream (Visible)	25fps (1280*720,768*576,640*480)
Main-Stream (Thermal)	25fps (1280*720,768*576,640*480,384*288,352*288)
Sub-stream (Thermal)	25fps (768*576,640*480,384*288,352*288)
Video Compression	H.265 / H.264
Network	
Protocols	IPv4, HTTP, HTTPS, FTP, DNS, NTP, RTSP, RTCP, RTP, TCP, UDP, IGMP, ICMP, DHCP, ONVIF
API	SDK, third-party management platform, ONVIF and CGI
Simultaneous Live View	6 users
User/Host level	Up to 10 users, 3 levels: Administrator, Operator, General
Security	Support password protection, bonding MAC ID, IP filtration
Client	Support ThermTec platform, third-party VMS by ONVIF, etc.
Web Browser	Google Kernel Browser, Edge
Interface	
Alarm Input	1ch
Alarm Output	1ch
Communication Interface	RJ45 10 M/100 M self-adaptive Ethernet interface RS-485 interface
General	
Web Client Language	English
Power Supply	DC 12V
Power Consumption	15W
Work Temperature/Humidity	-20°C~+60°C (-4°F~+140°F), <95%RH
Protection Level	IP66TVS 6000V lightning protection, surge protection, voltage transient protection
Dimension	356mm×145mm×162mm
Weight	≤2.2Kg