

Dual-spectrum Speed Dome

PD464T



Product Features

- Clearer and farther image with the latest 12 μ m infrared detector and leading algorithm.
- Visual and thermal dual-spectrum imaging for 24/7 safety surveillance.
- Support intelligent behavior analysis such as dual-spectrum region intrusion and tripwire intrusion, support AI human-vehicle classification.
- Support professional temperature measurement analysis tools and intelligent fire detection algorithm.
- Support multi-event linkage alarm and audible-visible alarm.
- Support intelligent scene configuration, support multiple scanning mode and target tracking.
- Integrated with $\pm 0.05^\circ$ high-accuracy PTZ, 200 $^\circ$ /s high rotation speed.
- All-metal integrated body with IP66 encapsulation rating, support self-sensing wipers.
- Support standard ONVIF protocols, SDK and accompanying NVR and software are available.

Product Specifications

Technical Index		Dual-spectrum Speed Dome			
Thermal	Sensor Type	VOx, uncooled FPA			
	Spectral Range	8~14μm			
	NETD	≤35mK (@25°C, F#1.0,25Hz)			
	Resolution	640×512			
	Pixel Pitch	12μm			
	Lens Focal Length	9.1mm	13mm	25mm	50mm
	Focus Mode	Athermalized fixed focus/motorized focus			
	FOV	48°×38°	33°×26°	17°×14°	8.8°×7.0°
	F#	1.0			
	Spatial Resolution	1.32mrad	0.92mrad	0.48mrad	0.24mrad
	Color Palettes	20 modes available such as Whitehot/Blackhot/Rainbow.			
Visible	Sensor	4MP 1/1.8" Progressive Scan CMOS			
	Resolution	2560×1440			
	Lens Focal Length	6.5~240mm			
	Focus Mode	Auto/Semi-auto/Manual			
	FOV	60.4°×35.9°~2.1°×1.2°			
	Day/Night	ICR Auto / Digital color to B/W			
	IR Illuminator	Max. supplement light range: 200m			
PT	Pan Range	360° continuous rotation			
	Pan Speed	0.1°~200°/s			
	Tilt Range	-27°~90°, support auto flip			
	Tilt Speed	0.1°~120°/s			
	Presets	1024			
	Scan Mode	Preset/Tour/Pattern Scan/ Linear Scan/Area Scan			
Network	Protocols	IPv4,HTTP,HTTPS,FTP,SMTP,UPnP,DNS,DDNS,NTP,RTSP,RTCP,RTP,TCP,UDP,IGMP,ICMP,DHCP			
	Interoperability	ONVIF, GB28181, SDK			
	Simultaneous Live View	Max. 8			
	User Management	Up to 20 users, divided into 3 levels: administrator, operator and ordinary user			
	Browser	Support browsers such as Chrome, Mozilla Firefox, Edge, etc,			
	Audio Compression	G.711a/G.711u/AAC/PCM			
	Video	H.264/H.265			

	Compression	
	Main Stream	Visible: 50Hz:25fps (2560×1440,1920×1080) 60Hz:30fps(2560×1440, 1920×1080) Thermal: 50Hz:25fps(1280×1024,1024×768) 60Hz:30fps(1280×1024,1024×768)
	Sub Stream	Visible: 50Hz:25fps(1920×1080,1280×720,704×576,352×288) 60Hz:30fps(1920×1080,1280×720,704×480,352×240) Thermal: 50Hz:25fps(640×512) 60Hz:30fps(640×512)
Temperature Measurement Function	Temperature Measurement Range	-20℃~+550℃
	Temperature Measurement Accuracy	±2℃ or ±2%, the larger value shall prevail
	Temperature Measurement Analysis	Support temperature measurement tools such as full frame/ point/ line/ region and linkage alarm
Smart Function	Fire Alert	Support fire detection
	Smart Recording	Alarm trigger recording, disconnection trigger recording
	Malfunction Detection	Support alarm trigger of network disconnection, IP address conflict, SD card error, illegal access, burning alert and abnormal detection
	Smart Detecting	Support smart event analysis such as human-vehicle recognition, cross-border, region intrusion
	Voice Talkback	Support two-way voice talkback
	Alarm Linkage	Video recording/Snapshot/alarm output/ sending mail/ PTZ linkage/Audible and visual alarm
System Interface	Power Supply	DC 24V±15%
	Communication	1 RJ45 self-adaptive 10M / 100M Ethernet port
	Audio	1-channel audio input, 1-channel audio output, 1-channel built-in Speaker
	Alarm Interface	7-channel alarm input, 2-channel alarm output
	Memory	Support Micro SD card (maximum 256G)
	Reset Button	Support
	Communication	1-channel RS485
General	Operating Conditions	-40℃~+70℃; <95%RH
	Ingress Protection	IP66
	Wiper	Support self-inductive wiper

	Power Consumption	Max.48W
	Dimension(mm)	Φ250×413
	Weight	8Kg

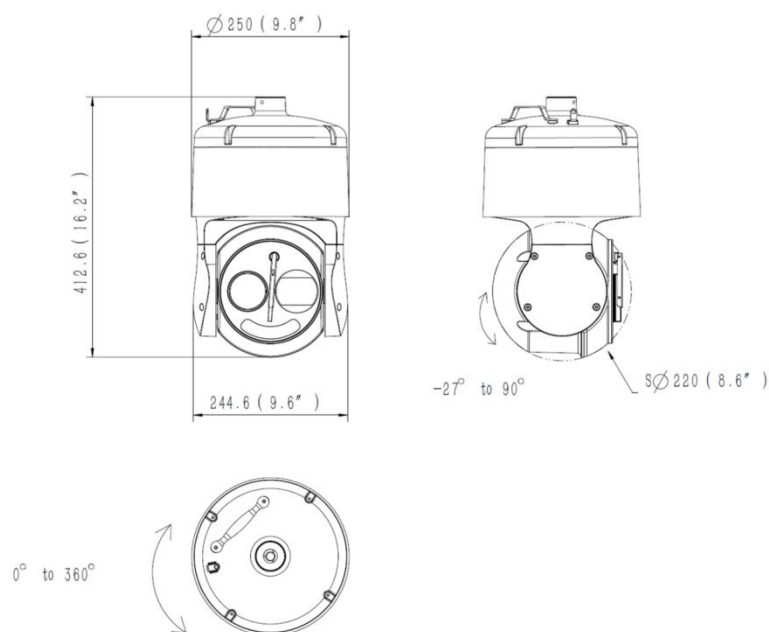
Effective Range

The recommended distance of detection, recognition and identification for human (1.8×0.5m) and vehicle (1.4×4.0m) are as follows:

- DD stands for Detection Distance;
- RD stands for Recognition Distance;
- ID stands for Identification Distance;

Lens	DD (Vehicle)	DD (Human)	RD (Vehicle)	RD (Human)	ID (Vehicle)	ID (Human)
9.1mm	1163m	379m	291m	95m	145m	47m
13mm	1661m	542m	415m	135m	208m	68m
25mm	3194m	1042m	799m	260m	399m	130m
50mm	6389m	2083m	1597m	521m	799m	260m

Structural Drawings



This datasheet is subject to change without prior notice. Please contact us to get the latest datasheet.