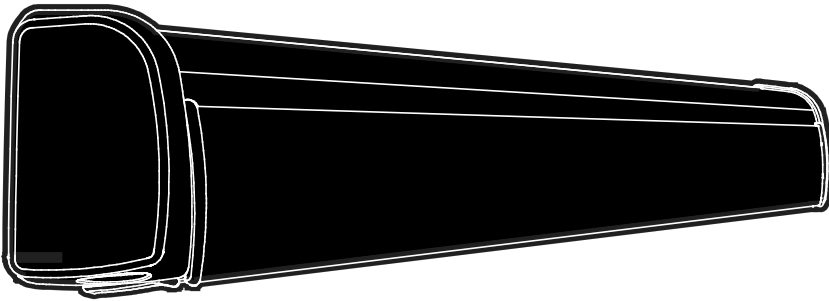


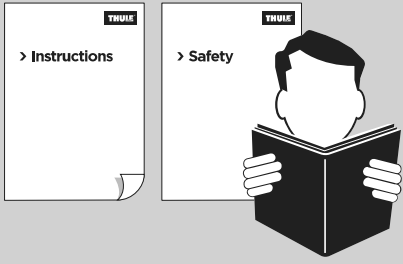


USER + INSTALLATION

> Instructions

Thule 4200
3028XX





DE	Markise - Bedienungsanleitung
NL	Luifel - Gebruikershandleiding
FR	Store - Instructions d'utilisation
IT	Tenda - Istruzioni per l'uso
ES	Toldo - Instrucciones de uso
SV	Markis - Användarmanual
FI	Markiisi - Käyttöohje
DA	Markise - Brugervejledning
NO	Markise - Brukerinstruksjoner
PL	Markiza - Instrukcja dla użytkownika

USER

4

1 WARNINGS & INFO 4

Warnungen & Info / waarschuwingen & info / avertissements et informations / avvertimenti e informazioni / advertencias e información / varningar & info / varoitukset ja tiedot / advarsler og info / advarsler og info / ostrzeżenia i informacje

2 OPEN 6

Öffnen / Openen / Ouvrir / Apri / Abrir / Öppna / Avaa / Åben / Åpne / Otwórz

3 CLOSE 12

Schließen / Sluiten / Fermer / Chiudi / Cerrar / Stänga / Sulje / Luk / Lukke / Zamknij

INSTALLATION

16

4 CONTENT 16

Inhalt / inhoud / contenu / contenuto / contenido / innehåll / sisältö / indhold / innhold / zawartość

5 TOOLS 17

Werkzeuge / gereedschappen / outils / strumenti / herramientas / verktyg / työkalut / værktøjer / verktøy / narzędzia

6 GUTTER INSTALLATION 18

Dachrinnen-Installation / Installatie goot / Installation de la gouttière / Installazione della grondaia / Instalación del canalón / Installation av dropplister / Kourun asennus / Montering af tagrende / Montering av renne / Instalacja rynienki

7 INSTALLATION 19

Installation / installatie / installation / installazione / instalación / installation / asennus / installation / installasjon / instalacja

8 FOOT SUPPORT INSTALLATION 22

Installation der Fußstütze / Installatie voetsteun / Installation du repose-pieds / Installazione del supporto del piede / Instalación del soporte para pies / Fotstödsinstallation / Jalkatuen asennus / Montering af fodstøtte / Fotstøttemontering / Instalacja wspornika stopy

9 HAND CRANK SUPPORT INSTALLATION

25

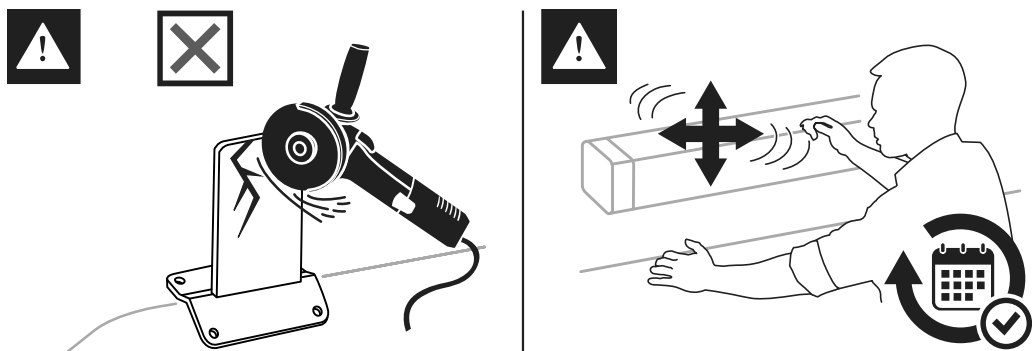
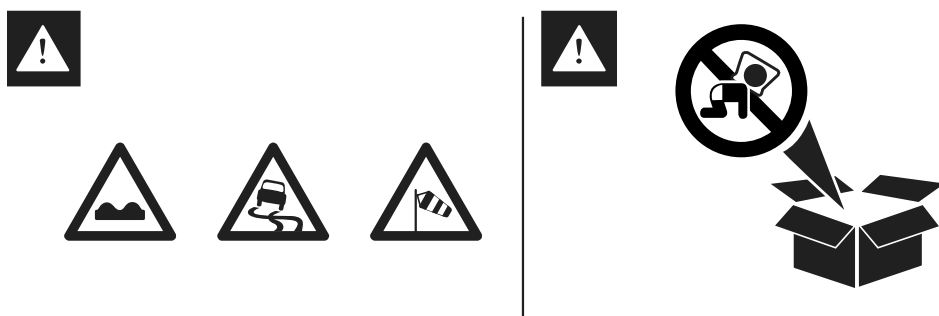
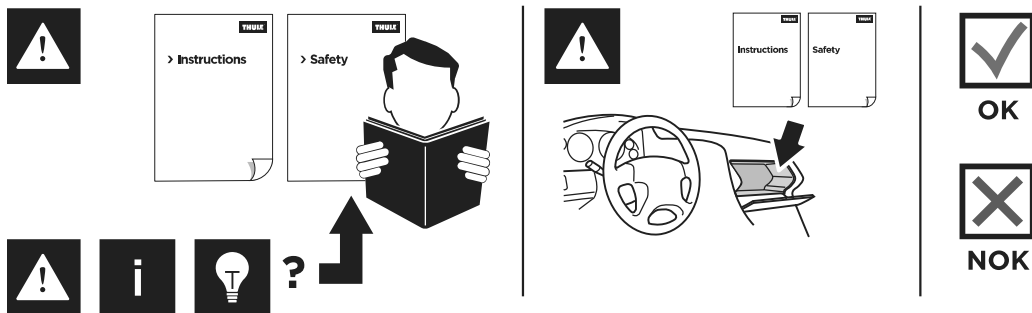
Installation der Handkurbelstütze / Installatie handzwengelsteun / Installation du repose-manivelle / Installazione del supporto della manovella manuale / Instalación del soporte de la manivela / Installation av handvevsstöd / Käsimakken tuen asennus / Håndsving hjælper med installation / Håndsvivstøttemontering / Instalacja wsparcia korby ręcznej

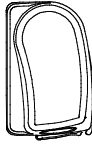
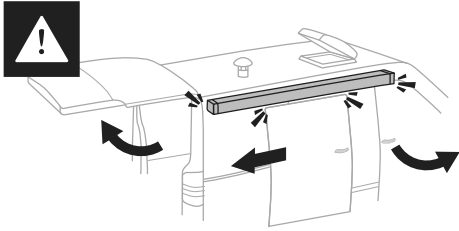
10 ACCESSORIES

26

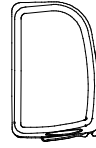
Zubehör / accessoires / accessoires / accessori / accesorios / tillbehör / tarvikkeet / tilbehør / tilbehør / akcesoria

1 WARNINGS & INFO

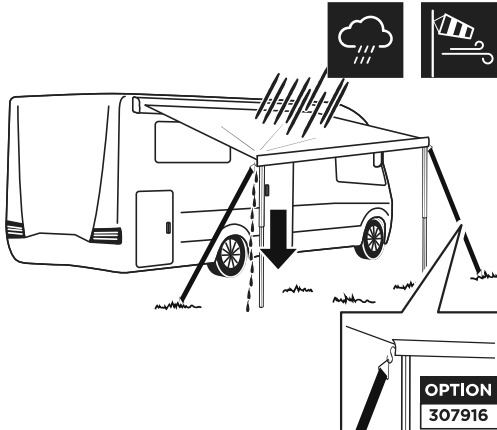
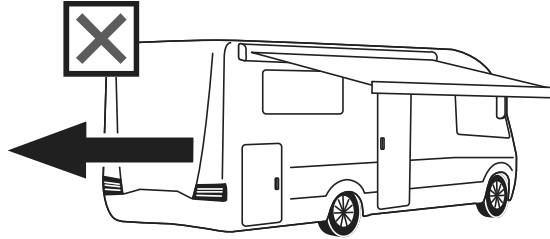
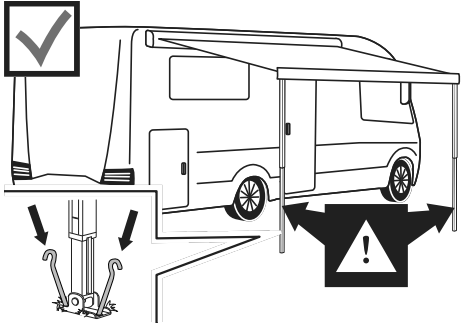




2,6 m
3,0 m



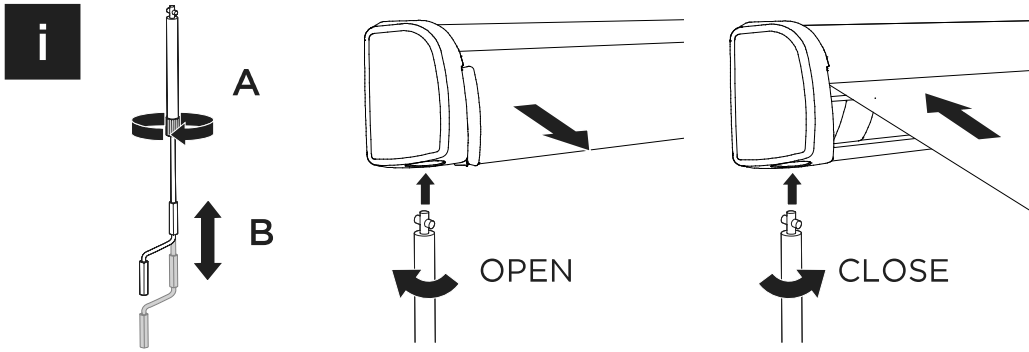
3,5 m
4,0 m
4,5 m



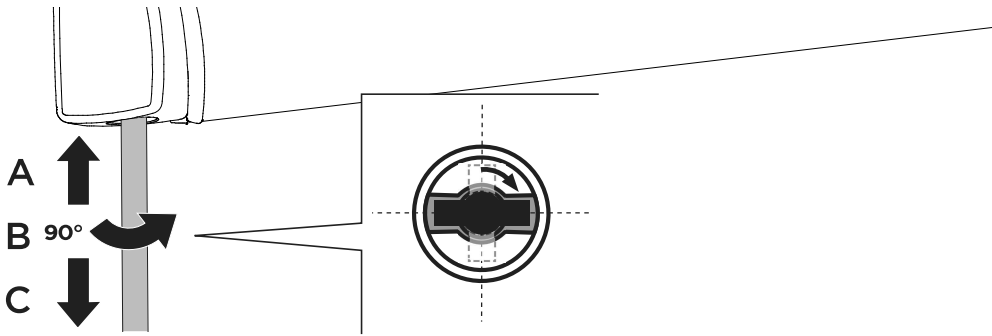
**CLOSE
THE AWNING**



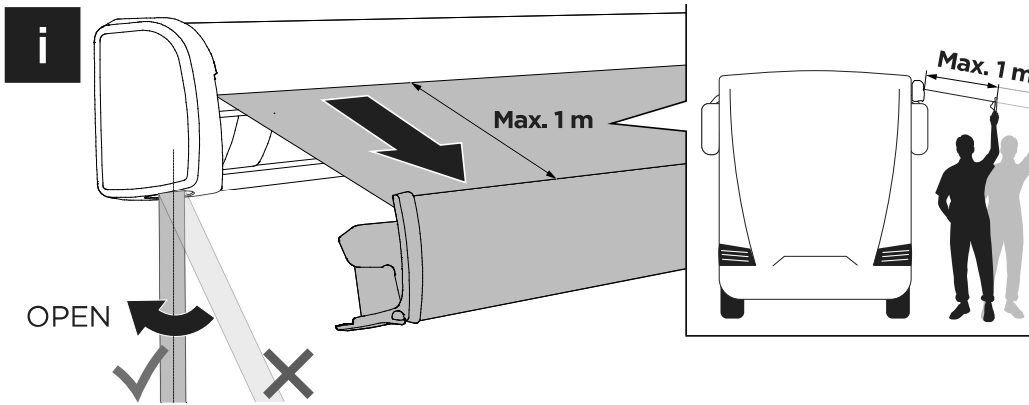
2 OPEN



1

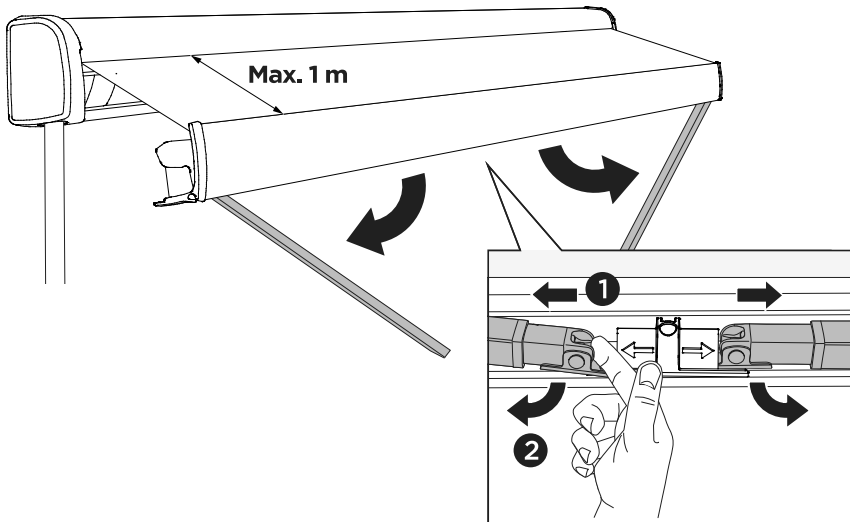


2

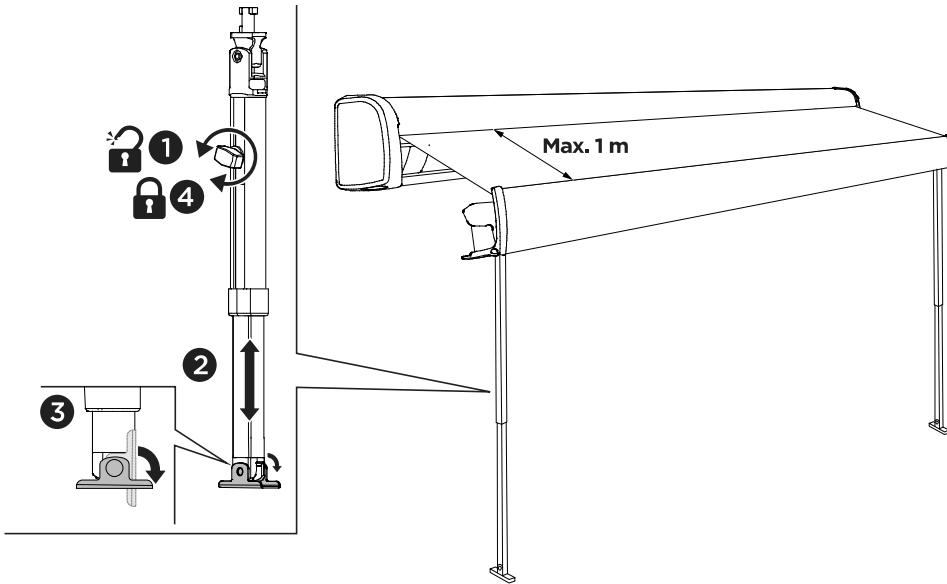


3

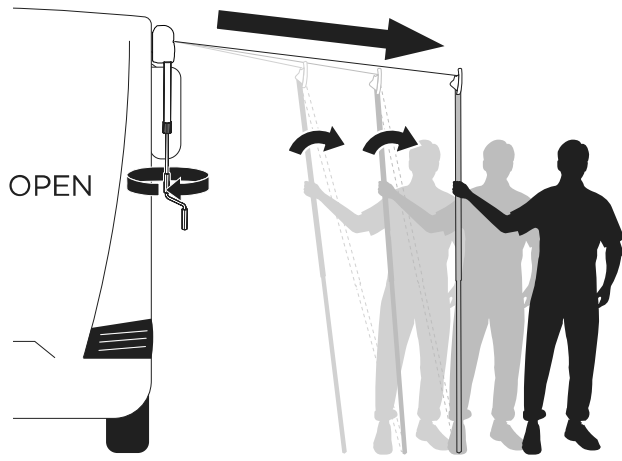
A



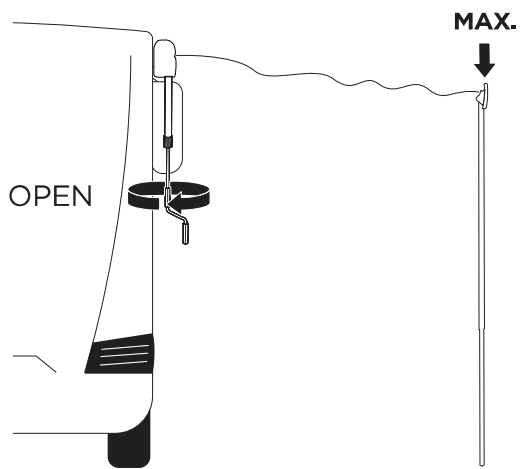
B



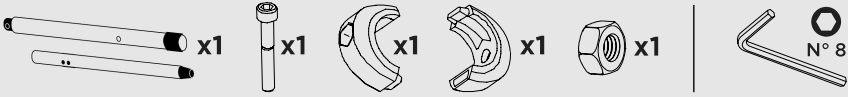
C



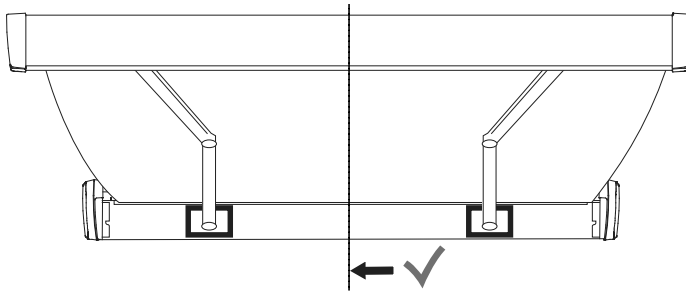
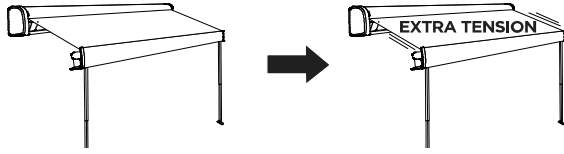
D



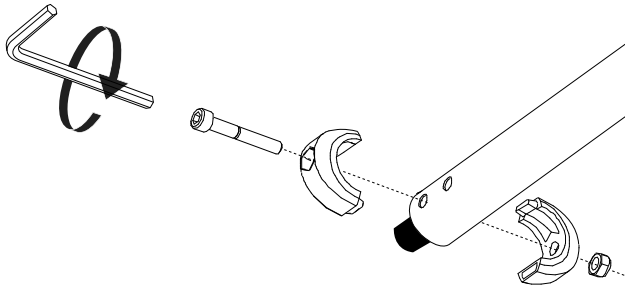
4



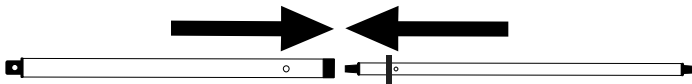
TENSION RAFTER G2 307307 / 307309	2,6M 307307	3,0M 307309	3,5M 307309	4,0M 307309	4,5M 307309
	OPTION	OPTION	OPTION	✓	✓

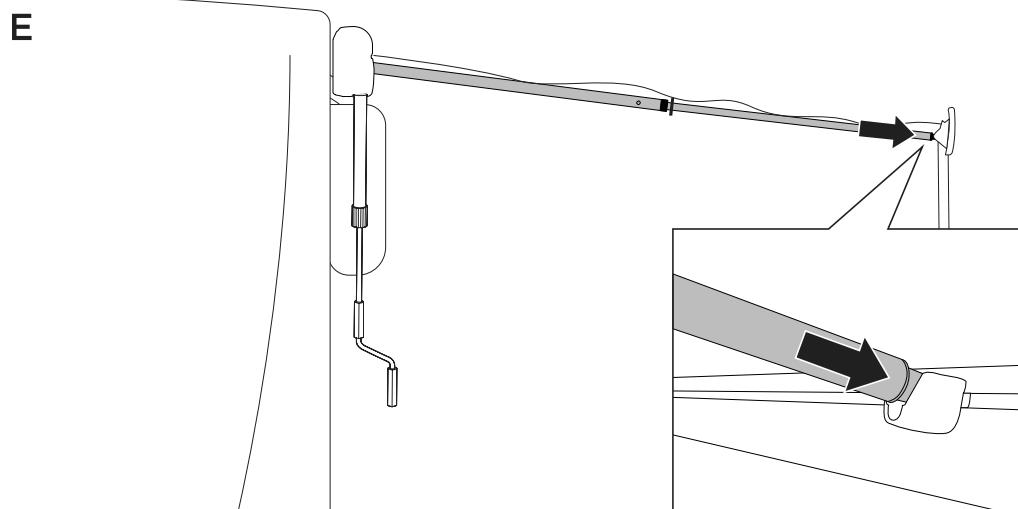
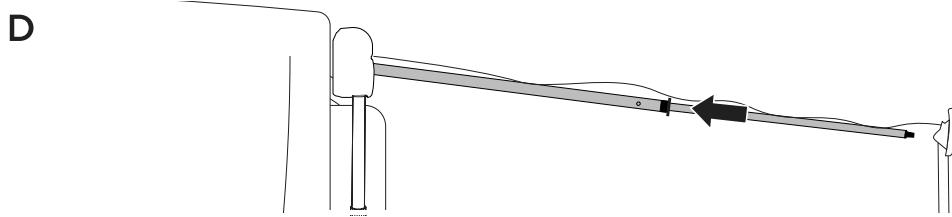
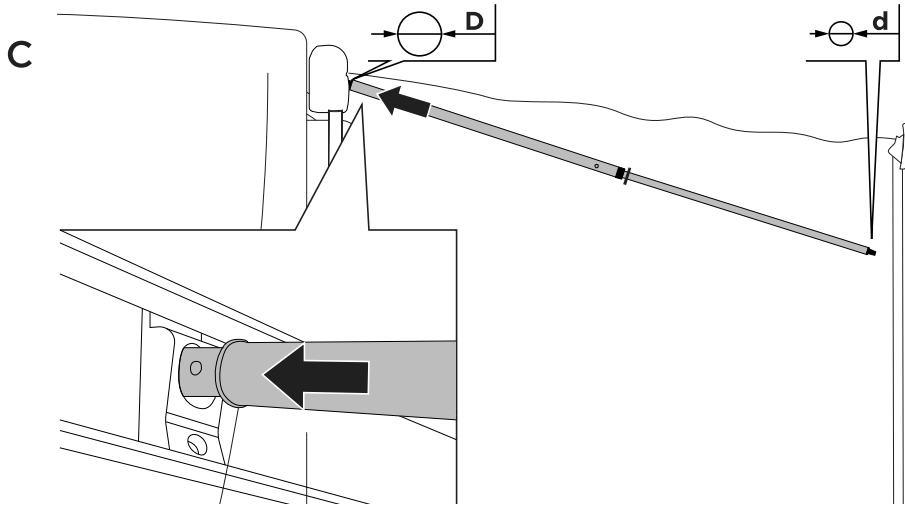


A

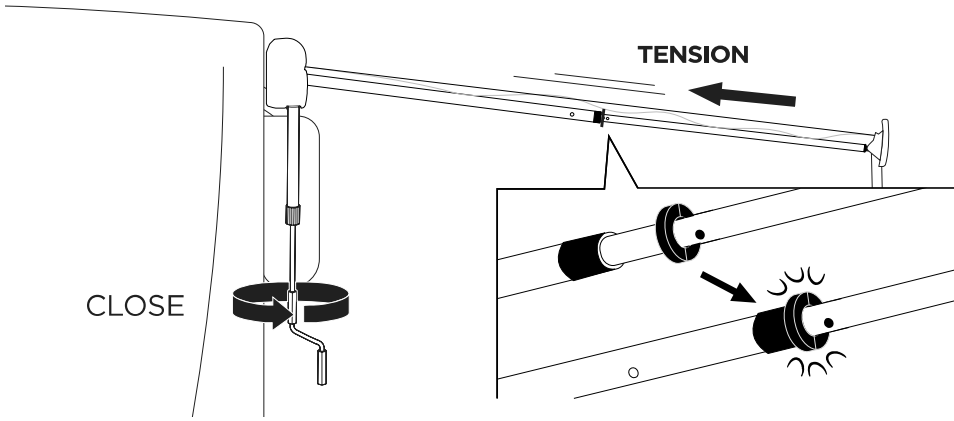


B

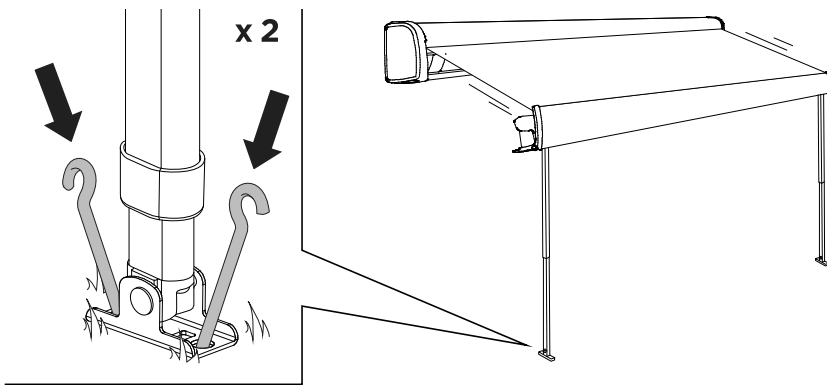




5

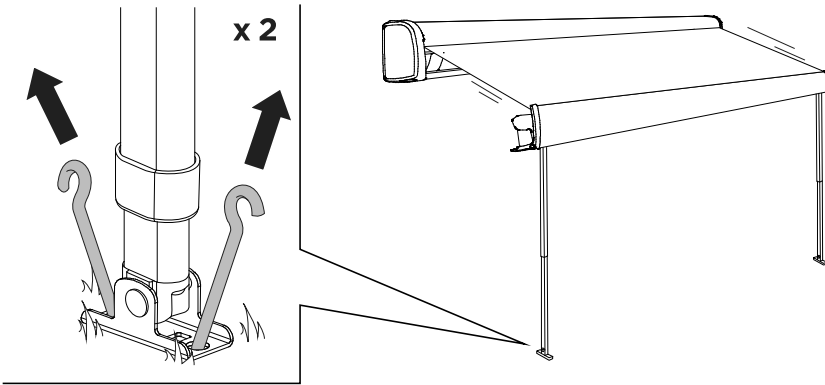


6

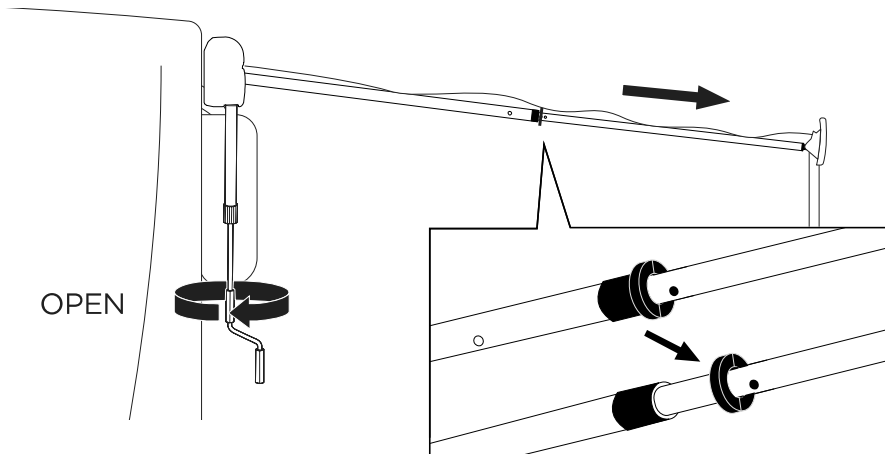


3 CLOSE

1

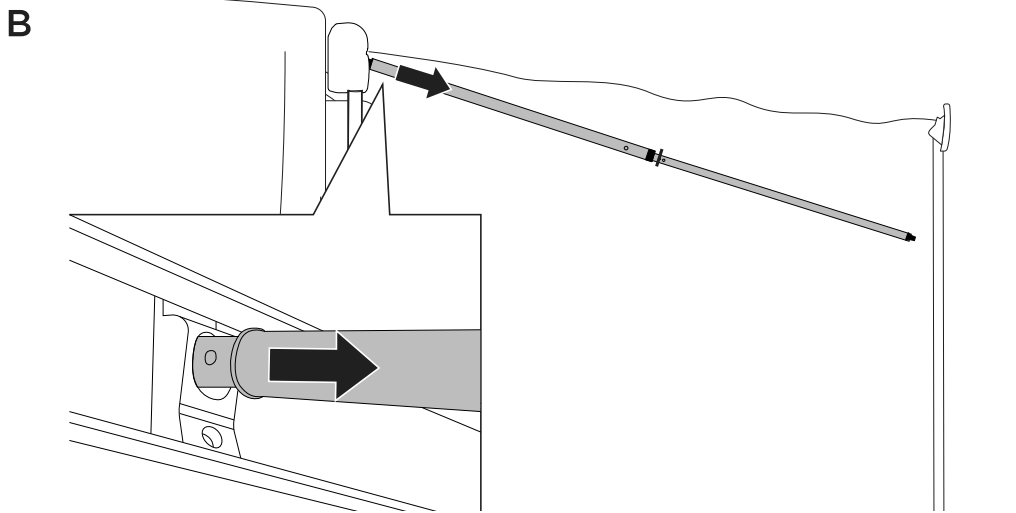
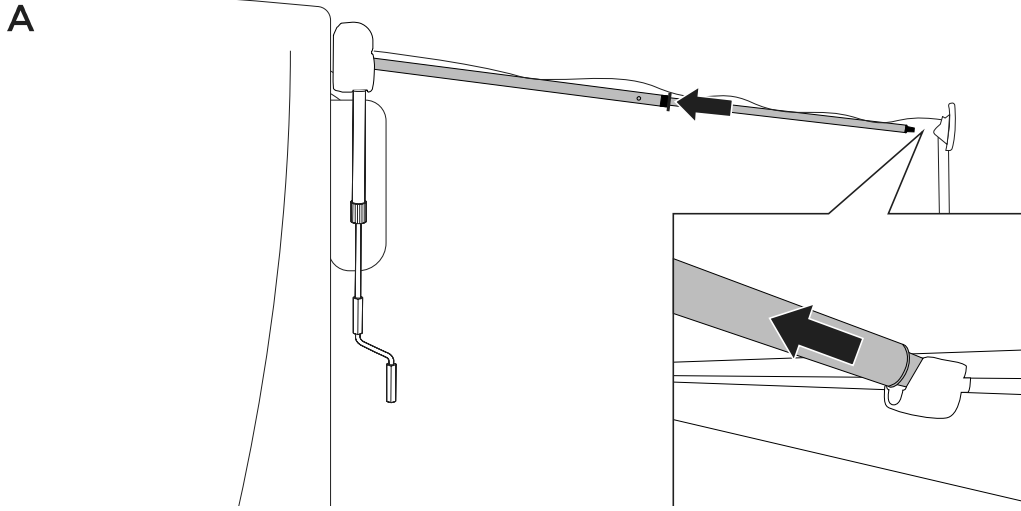


2

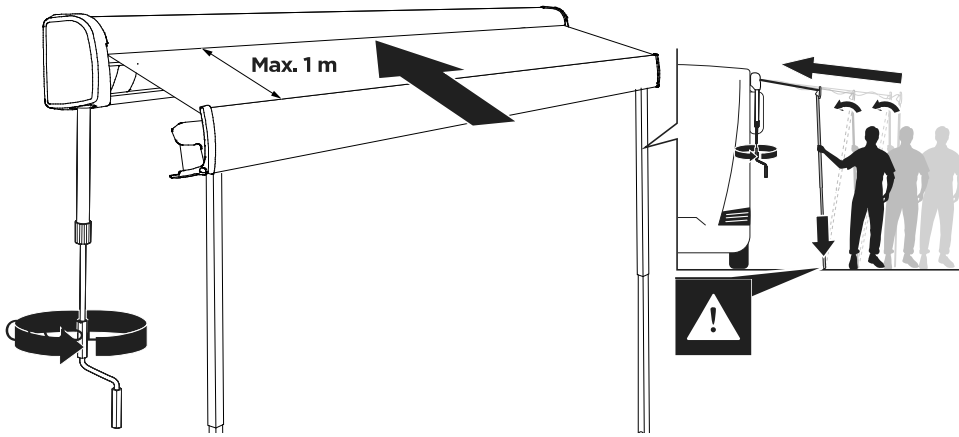


3

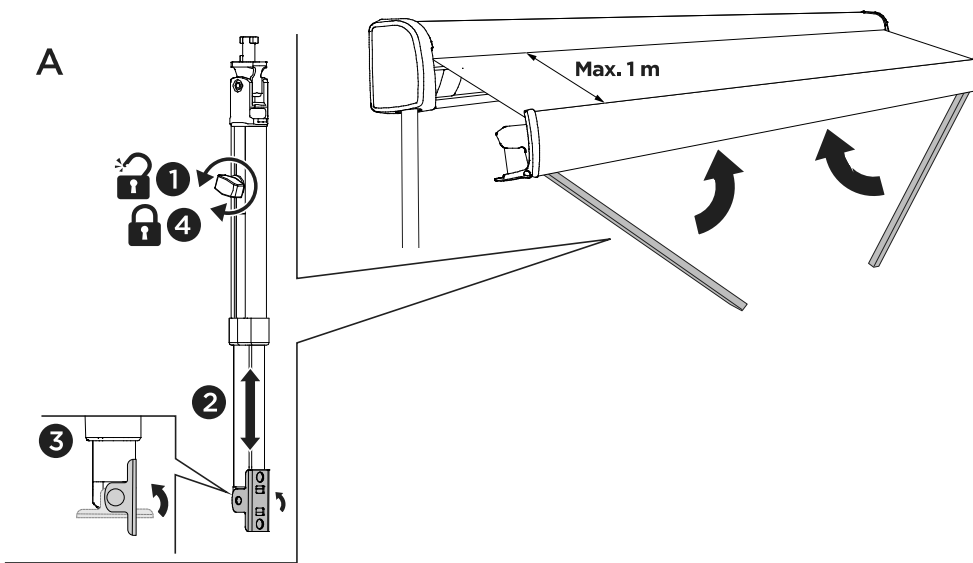
TENSION RAFTER G2 307307 / 307309	2,6M 307307	3,0M 307309	3,5M 307309	4,0M 307309	4,5M 307309
	OPTION	OPTION	OPTION	✓	✓

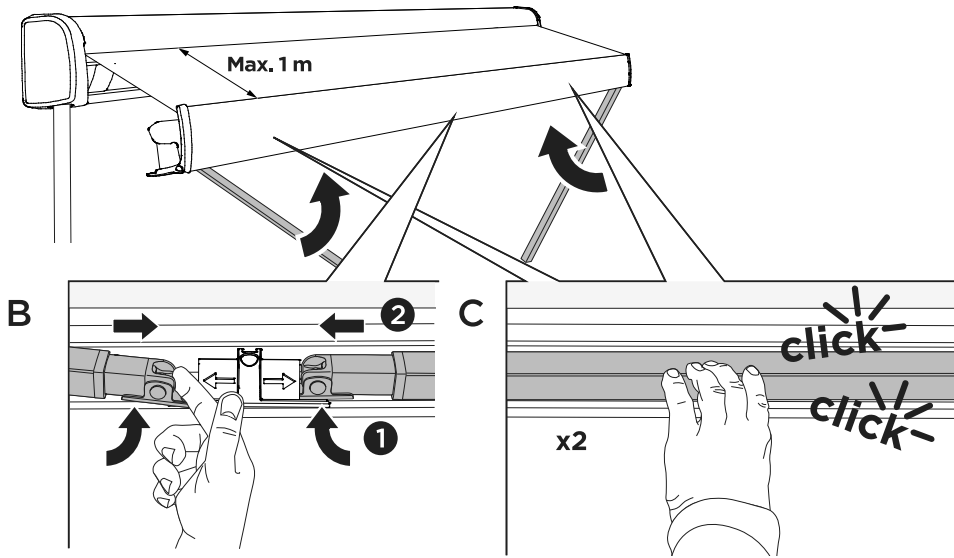


4

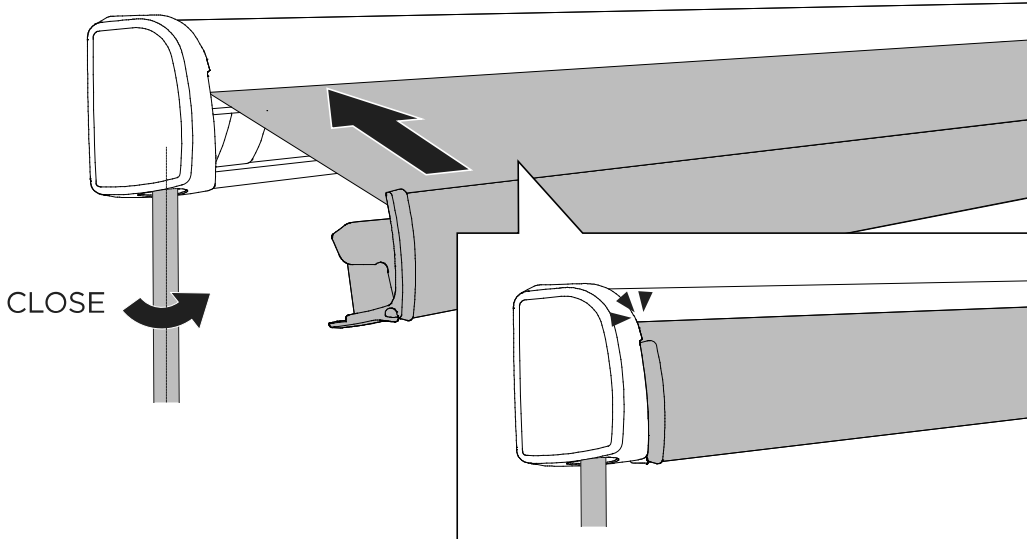


5





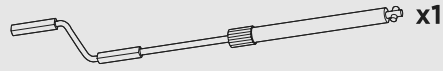
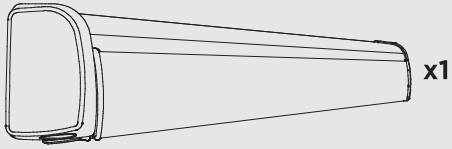
6












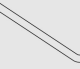



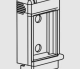






INSTALLATION

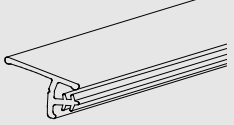
4 CONTENT

AWNING



	2,6m	3,0m	3,5m	4,0m	4,5m		2,6m	3,0m	3,5m	4,0m	4,5m
 40mm	x1	x1	x1	x2		 4,2 x 16 mm DIN 7504N TX20	x5	x5	x5	x6	x5
 80mm	x2	x2			x1	 M6 DIN 934	x7	x7	x7	x8	x10
 175mm			x2	x2		 M6 DIN 6798	x7	x7	x7	x8	x10
 400mm					x2	 M5 DIN 125	x4	x4	x4	x4	x4
	x3	x3	x3	x4	x4		x4	x4	x4	x4	x4
	x2	x2	x2	x2	x3		x4	x4	x4	x4	x4
 M6 x 55 mm DIN 965 - TX30	x2	x2	x2	x2	x2		x2	x2	x2	x2	x2
 M6 x 55 mm DIN 603	x5	x5	x5	x6	x8		x2	x2	x2	x2	x2
 4,2 x 25 mm DIN 7981 - TX20	x4	x4	x4	x4	x4					x1	x1
 4,2 x 25 mm DIN 7982 - TX20	x4	x4	x4	x4	x4					x1	x1

OPTIONAL 302690 - 302693



x1
Sealing Rubber

5 TOOLS



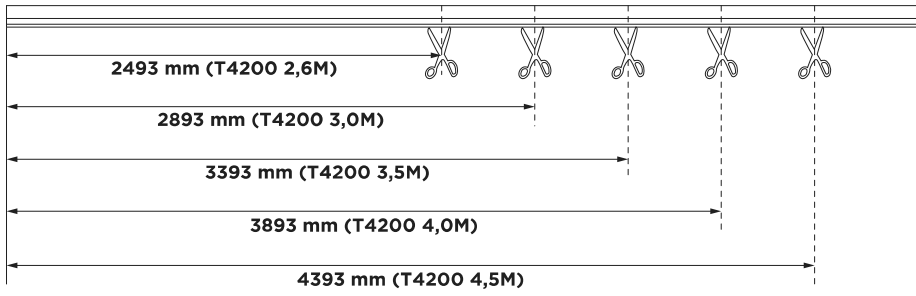
6 GUTTER INSTALLATION

1

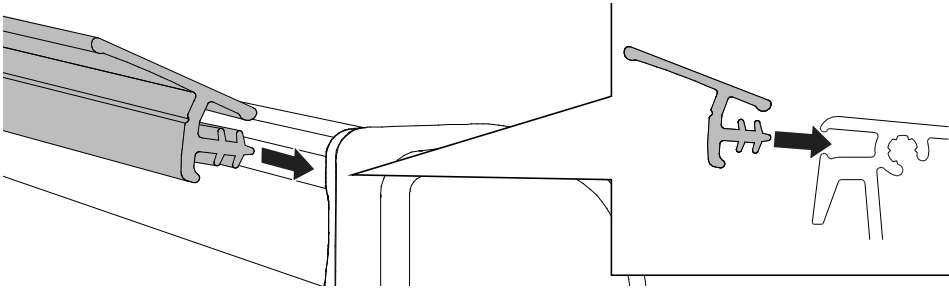
OPTIONAL



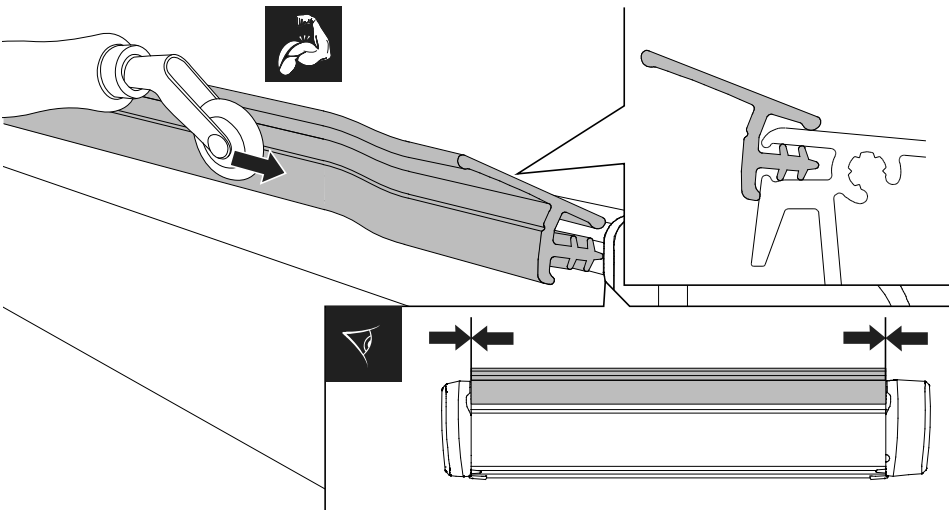
A



B

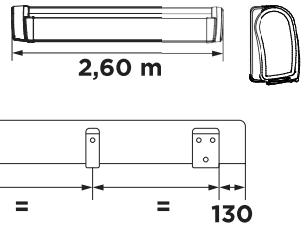
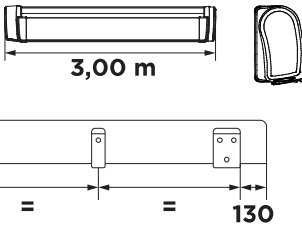


C



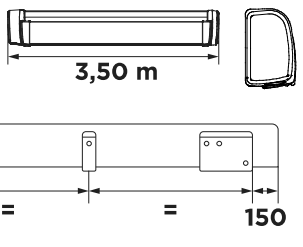
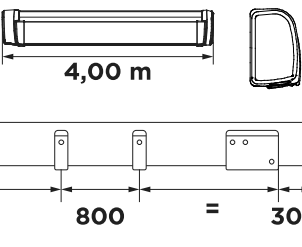
7 INSTALLATION

1  **DEGREASER**

i **FIX X or Y**  **FIX X or Y** 

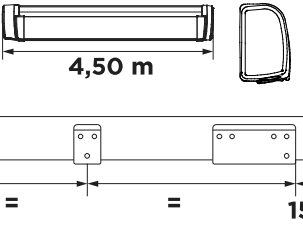
2,60 m 3,00 m

130 = = 130 130 = = 130

FIX Y or Z  **FIX Y or Z** 

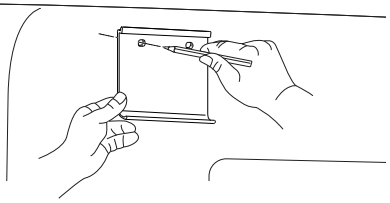
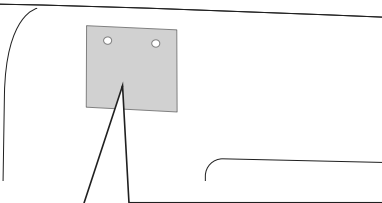
3,50 m 4,00 m






150 = = 150 300 = 800 = 300

FIX Y or Z 

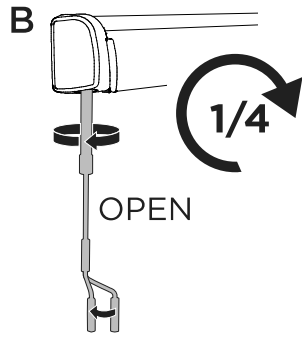
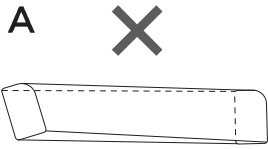
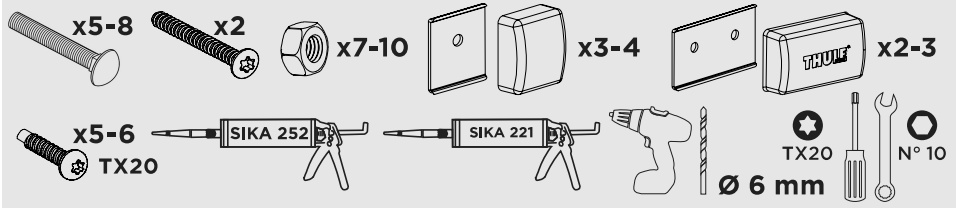
4,50 m

150 = = 150

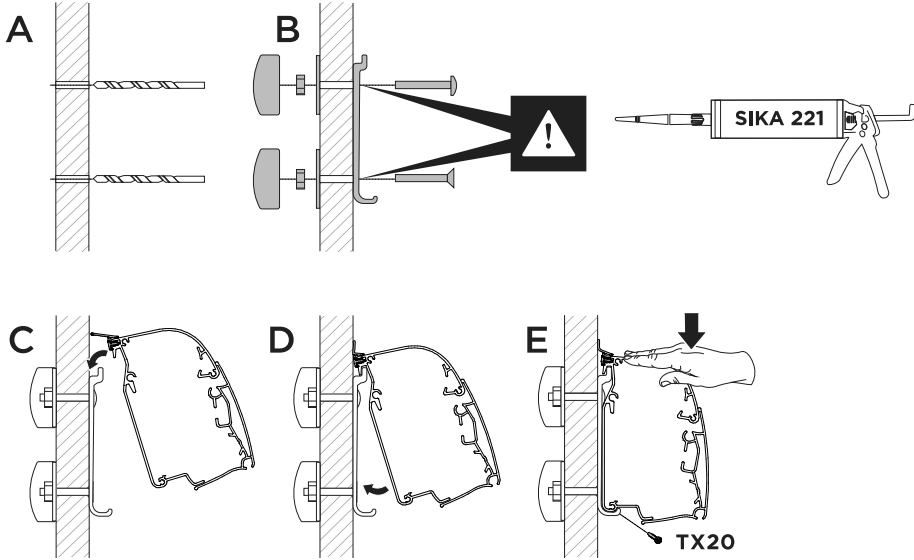
A  **B** 

 **1**  **2**  **3**  **4** 

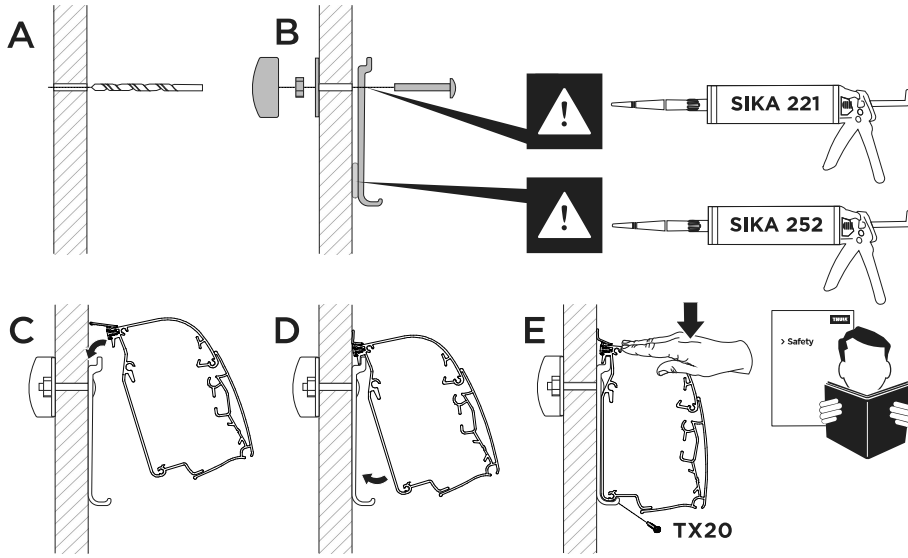
2



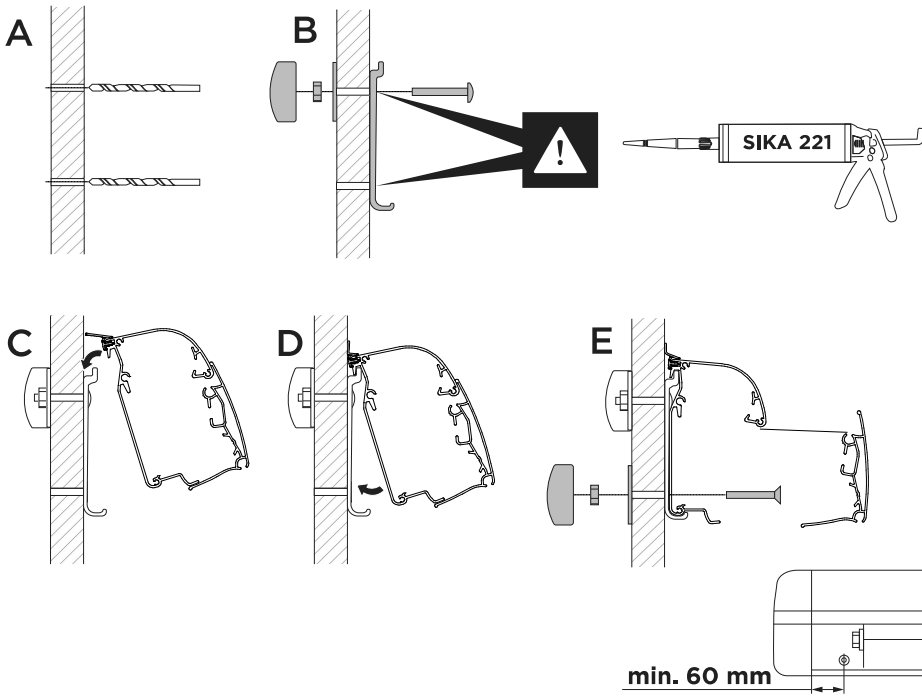
FIX X



FIX Y

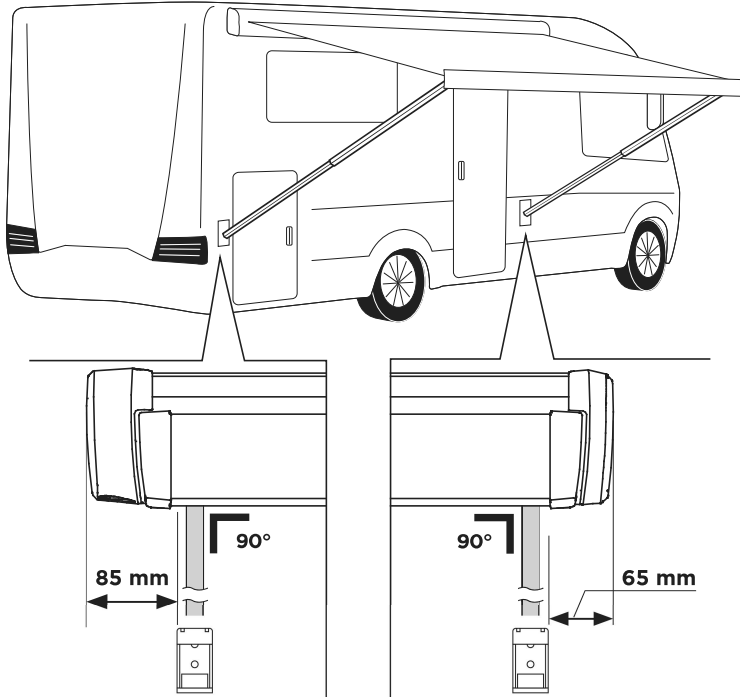


FIX Z

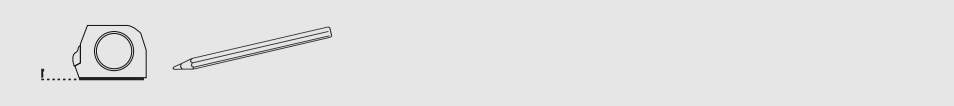


8 FOOT SUPPORT INSTALLATION

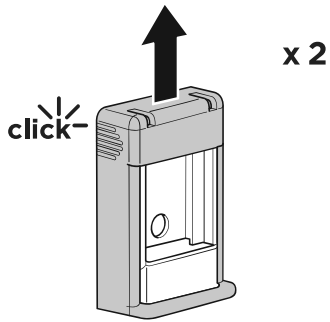
i



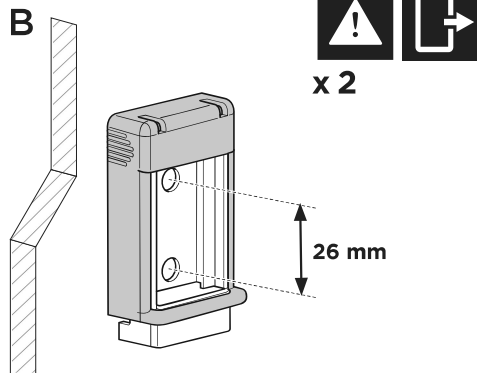
1



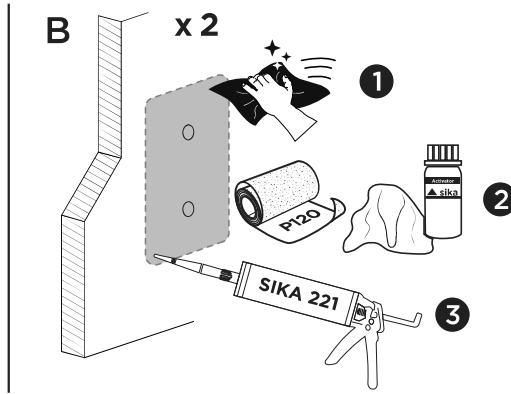
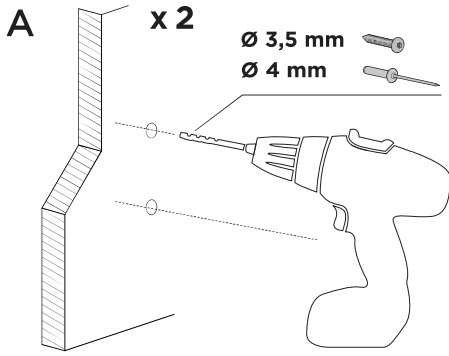
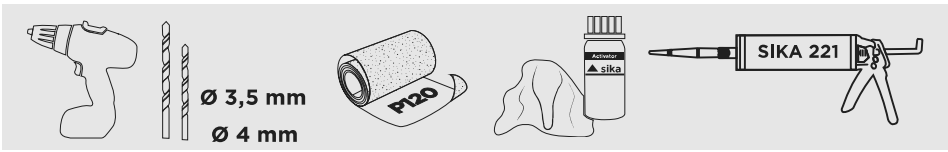
A



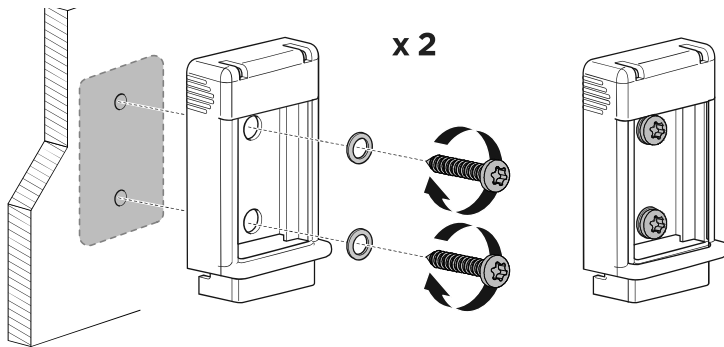
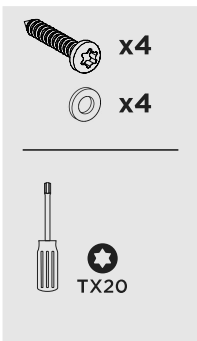
B



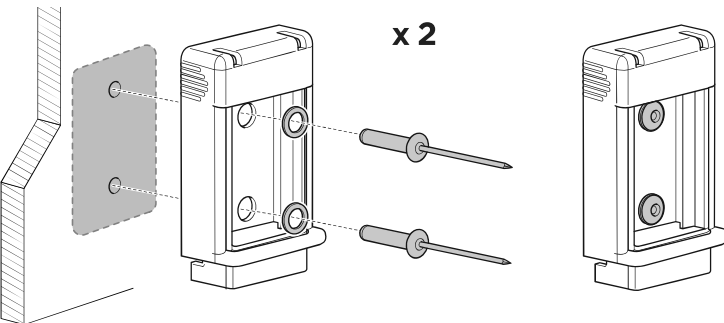
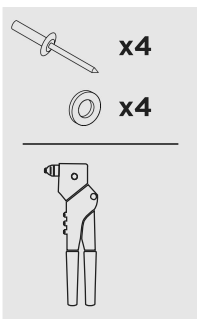
2



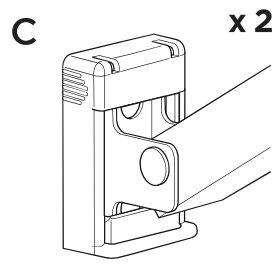
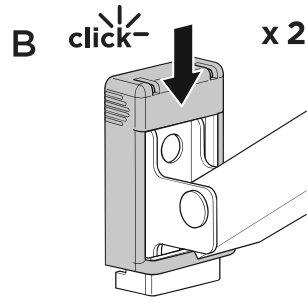
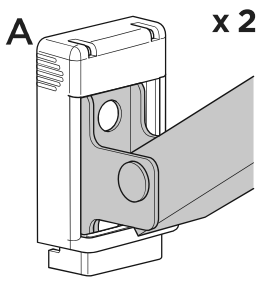
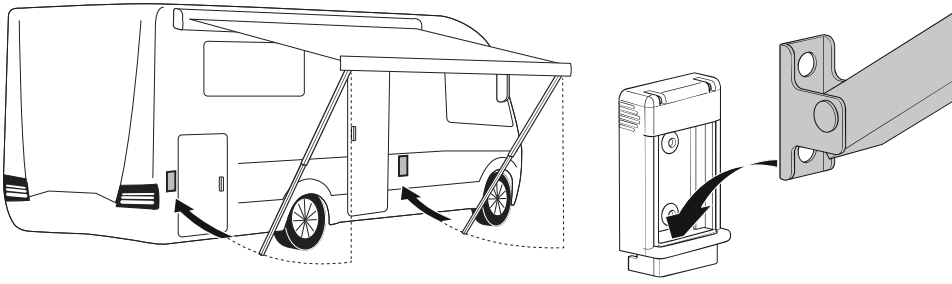
3



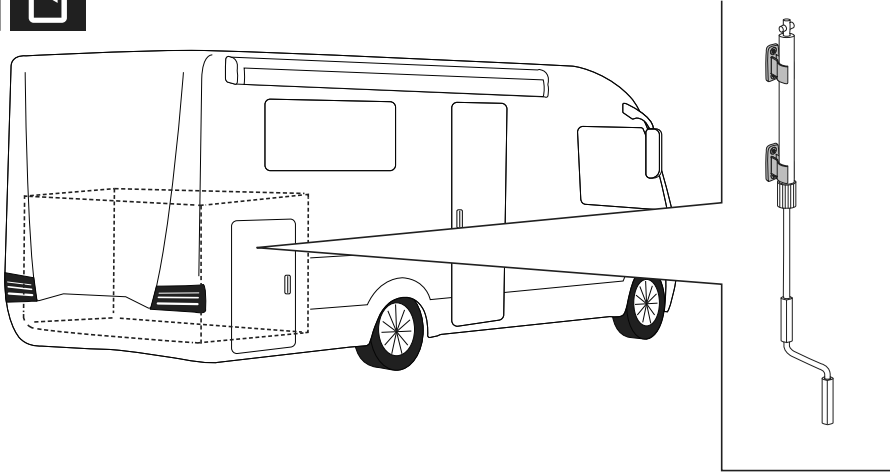
OR





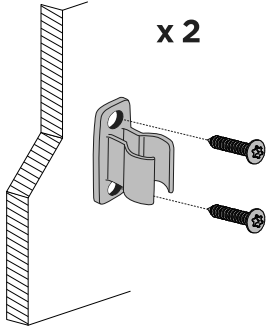
4



9 HAND CRANK SUPPORT INSTALLATION

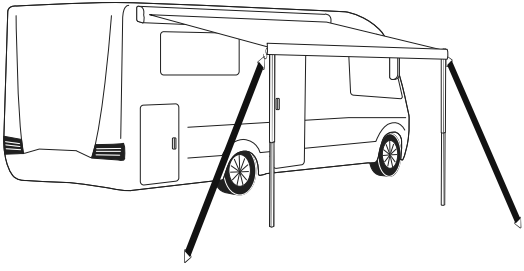


1  x4 |  TX20

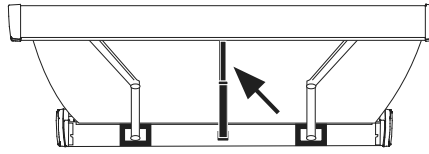


10 ACCESSORIES

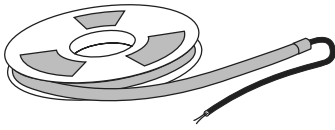
Thule Hold Down Side Strap Kit (307916)



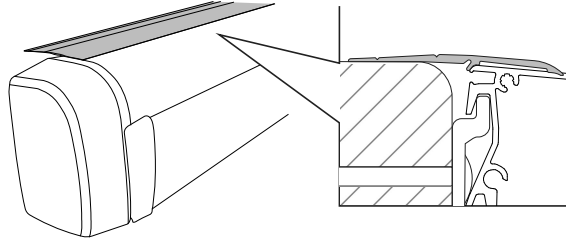
Thule Tension Rafter G2 (307307 / 307309)



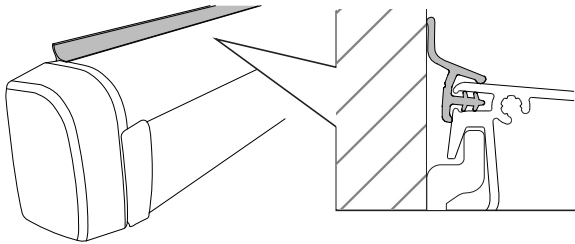
Thule LED Strip (307135 - 307137)



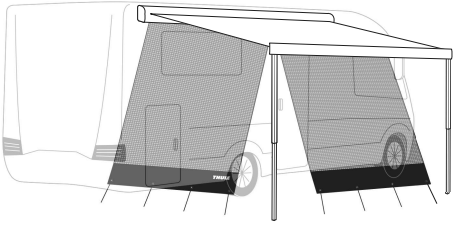
Thule Sealing Rubber (306891 - 306892)



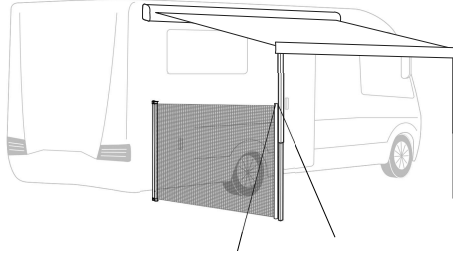
Thule Sealing Rubber (302690 - 302693)



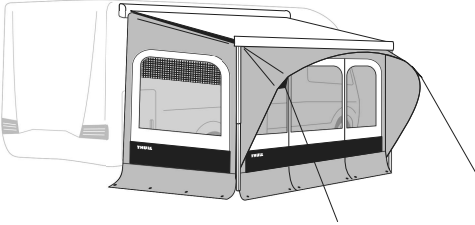
Thule Sun Blocker G2



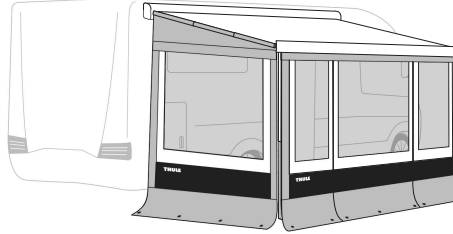
Thule Windscreen



Thule QuickFit



Thule Residence G3



Thule Rain Blocker G2

