

**THETFORD**



# Sinks & Bowls

User Manual

# EN

## Original User Manual

## Contents

1	Introduction.....	2
2	Symbols.....	2
3	Safety.....	3
4	Main components.....	3
5	Before use.....	4
6	Maintenance and cleaning.....	4
7	Servicing.....	5
8	Putting in storage.....	5
9	Technical specifications.....	6
10	Disposal.....	6
11	Questions.....	6
12	Warranty.....	6

## 1. Introduction

This is the user manual for your Thetford bowl or sink. Read the safety instructions and information on use and maintenance of the bowl or sink carefully before continuing. This will enable you to use the bowl or sink safely and efficiently. Retain this manual for future reference.

For the latest version of this manual, please visit [www.thetford.com](http://www.thetford.com).

## 2. Symbols

Key to symbols:



**Warning.** Risk of serious injury and/or damage.



**Caution.** Risk of injury and/or damage.



**Attention.** Important information.



**Note.** Information.

### 3. Safety

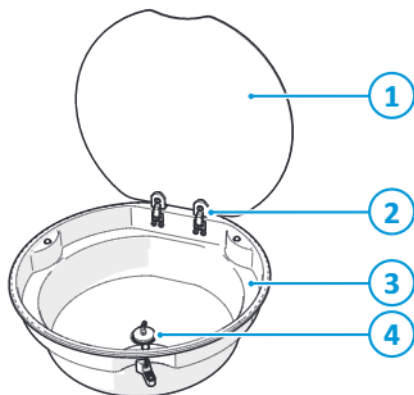


The glass lid may snap shut towards the end of lowering due to the travel-lock action of the hinges. Make sure all fingers are clear of the appliance when closing the lid.

### 4. Main components

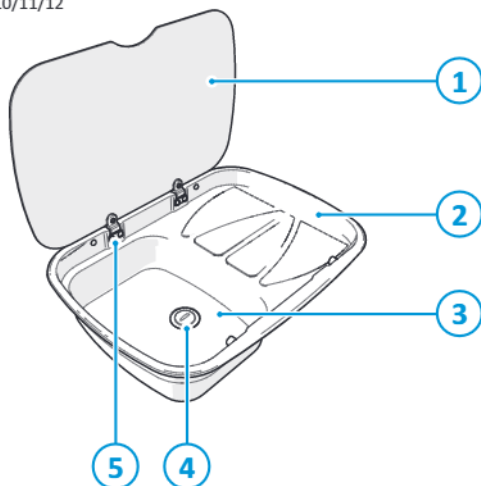
EN

SBL300



1. Lid
2. Hinges\*
3. Sink
4. Sink plug (optional)

SSK10/11/12



1. Lid
2. Drainer place
3. Sink
4. Sink plug (optional)
5. Hinges\*



1. Lid
2. Draining rack
3. Hinges\*
4. Sink
5. Sink plug (optional)
6. Washing bowl
7. Chopping board
8. Sink drainer



\*Lids can be removed.



Waste units are not supplied by Thetford.



The location or presence of the parts and the shape of the sink depend on the type of sink you have.

## 5. Before use

Before using the appliance:

- Ensure that all packaging materials have been removed.
- Clean the appliance with warm water and household detergent and dry carefully with a soft cloth.

## 6. Maintenance and cleaning

Thetford recommends an annual inspection service by an approved service centre. Between annual servicing, clean the appliance regularly after use.

- Always remove any spills or contamination immediately after use with soap and hot water. Towel dry the surface with a soft cloth.
- Use a non-abrasive multi-purpose cream cleaner and a nylon scourer pad to clean more stubborn dirt or grease.
- Use a proprietary stainless steel cleaner or polish to remove superficial surface scratching.



Hard water or soft water may leave a brown or white film in the sink. Dry the sink after use with a soft cloth to avoid this. Clean the sink well at least once a week with a cloth and household detergent.



Do not use abrasive cleaners, metal scouring pads or hard brushes. They could damage the appliance.



Do not leave wet cloths, cleaning pads, residues of food or cleaning products or other dirt to dry on the surface. It can cause pitting, marking or even rusting.



Always clean in the direction of the brushed finish and not across the grain.



Cleaning agents containing bleach should not be left in contact with stainless steel.



Mineral content in water (such as iron or lime scale) can affect the appearance of the metal.



Remove any spillage from the glass lid before opening the lid.





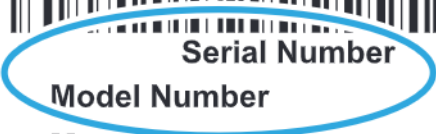
To preserve the appearance of the appliance, do not store plastic bowls or mats in the sink.

EN

## 7. Servicing

All servicing must be carried out by an approved competent person.

For service, please contact your authorised local Service Centre giving details of the model and serial number on the data badge plus date of purchase.

 <p>Unit 6 Brookfields Way, Manvers, Rotherham, S63 5DL TEL +44 (0) 844 997 1960 FAX +44 (0) 844 997 1961</p>		
	 <p><b>Serial Number</b></p>	
	<p><b>Model Number</b></p> <p><b>Model Description</b></p>	

<p><b>Model Description</b></p>		
	<p><b>Model Number</b></p> <p>CSA MASTER CONTRACT: 2. 939 ASME A119.19.3-2008/CSA B. 4-08</p>	 <p>Unit 6 Brookfields Way, Manvers, Rotherham, S63 5DL TEL +44 (0) 844 997 1960 FAX +44 (0) 844 997 1961</p>
	<p><b>Serial Number</b></p>	
	<p><b>Production date</b></p>	

## 8. Putting in storage

- Close the lid, if present.
- Wipe the appliance clean and dry.

## 9. Technical specifications

Table 1: Bowl specifications

	SBL22 series	SBL23 series	SBL300 series		
Diameter	362mm	461mm	405mm		
Depth	127 or 103mm	127mm	145mm		

	SBL10 series	SBL17 series	SBL330 series	SBL340 series	SSK10/11/12 series
Length x width	472 x 362mm	550 x 360mm	480 x 480mm	540 x 445mm	630 x 470mm
Depth	158mm	135mm	100mm	100mm	137 or 152mm

## 10. Disposal

Your product has been designed and manufactured with high quality materials and components, which can be recycled and reused. When your product has reached its end of life, dispose of the product according to the local rules. Do not dispose of the product with the normal household waste. The correct disposal of your old product will help prevent potential negative consequences to the environment and human health.

## 11. Questions

If you have questions about your product, parts, accessories or authorised services:

- Visit [www.thetford.com](http://www.thetford.com).
- If you cannot solve a problem, contact the authorised local Service Centre or Thetford Customer Service in your country.

## 12. Warranty

For our warranty clause, please refer to the conditions mentioned on [www.thetford.com/customer-support/warranty-info/](http://www.thetford.com/customer-support/warranty-info/). For more information, please contact the Thetford Customer Service in your country.

## EUROPEAN HEADQUARTERS

Thetford B.V.  
Nijverheidsweg 29  
P.O. Box 169  
4870 AD Etten-Leur  
The Netherlands

T +31 76 504 22 00  
F +31 76 504 23 00  
E [info@thetford.eu](mailto:info@thetford.eu)

## FRANCE

Thetford S.A.R.L.  
Parc BUIROPLUS / Bâtiment 6  
18, Boulevard de la Paix  
95800 CERGY  
France

T +33 1 30 37 58 23  
F +33 1 30 37 97 67  
E [info@thetford.eu](mailto:info@thetford.eu)

## SCANDINAVIA

Thetford B.V.  
Representative Office Scandinavia  
Hantverkaregatan 32D  
521 61 Stenstorp  
Sverige

T +46 31 336 35 80  
F +46 31 44 85 70  
E [infos@thetford.eu](mailto:infos@thetford.eu)

## UNITED KINGDOM

Thetford Ltd.  
Unit 6  
Brookfields Way  
Manvers, Rotherham  
S63 5DL, England  
United Kingdom

T +44 844 997 1960  
F +44 844 997 1961  
E [info@thetford.eu](mailto:info@thetford.eu)

## ITALY

Thetford Italy c/o Tecma s.r.l.  
Via Flaminia  
Loc. Castel delle Formiche  
05030 Otricoli (TR)  
Italia

T +39 0744 709071  
F +39 0744 719833  
E [info@thetford.eu](mailto:info@thetford.eu)

## AUSTRALIA

Thetford Australia Pty. Ltd.  
41 Lara Way  
Campbellfield VIC 3061  
Australia

T +61 3 9358 0700  
F +61 3 9357 7060  
E [infoau@thetford.eu](mailto:infoau@thetford.eu)  
[www.thetford.com.au](http://www.thetford.com.au)

## GERMANY

Thetford GmbH  
Schallbruch 14  
D-42781 Haan  
Deutschland

T +49 2129 94250  
F +49 2129 942525  
E [info@thetford.eu](mailto:info@thetford.eu)

## SPAIN AND PORTUGAL

Mercè Grau Solà  
Agente para España y Portugal  
c/ Castellet, 36 bxs 2ª  
08800 Vilanova i la Geltrú  
Barcelona  
España

T +34 938 154 389  
F not available  
E [info@thetford.eu](mailto:info@thetford.eu)

## CHINA

Thetford China  
Rm. 1207, Coastal Building  
(East Block)  
Haide 3rd Road, Nanshan District  
Shenzen, 518054  
China

T +86 755 8627 1393  
F +86 755 8627 1673  
E [info@thetford.cn](mailto:info@thetford.cn)  
[www.thetford.cn](http://www.thetford.cn)

