

Oil Radiator / Radiador a óleo / Radiador de aceite /  
Radiateur d'huile / Καλοριφέρ λαδιού /  
Ölgefüllter Heizkörper

**Elan IX** \* OH-009.006A (9 Fins)



Download  
Multi-language file



**Elan XI** \* OH-011.007A (11 Fins)



This product is only suitable for well insulated spaces or occasional use.

Este produto é adequado apenas para espaços bem isolados ou utilização ocasional.

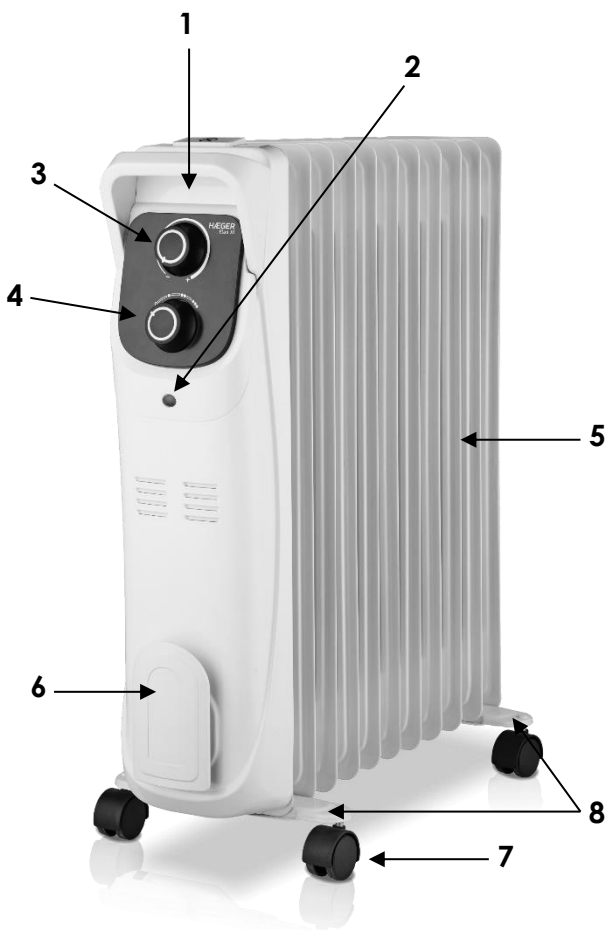
Este producto está indicado únicamente en lugares abrigados o para una utilización puntual.

Ce produit ne peut être utilisé que dans des locaux bien isolés ou de manière occasionnelle.

Αυτό το προϊόν είναι κατάλληλο μόνο για καλά μονωμένους χώρους ή περιστασιακή χρήση.

Dieses Produkt ist nur für gut isolierte Räume oder den gelegentlichen Gebrauch geeignet.

**Instruction Manual / Manual de Instruções / Manual de Instrucciones**  
**Mode d'emploi / Οδηγίες χρήση / Bedienungsanleitung**



**WARNING:**

**ATENÇÃO:**

**ADVERTENCIA:**

**AVERTISSEMENT:**

**ΠΡΟΕΙΔΟΠΟΙΗΣΗ:**

**WARNUNG:**

DO NOT COVER

NÃO COBRIR

NO CUBRIR

NE PAS COUVRIR

ΜΗΝ ΚΑΛΥΠΤΕΙΤΕ

NICHT ABDECKEN

# English

## Dear customer

Thank you for having chosen a HÆGER product.

The HÆGER products have been produced to think about the welfare of the consumer privileging the most raised standards of quality, functionality and assign. We are sure you will be happy with this appliance.

We assume that the user is familiar with the common procedures of handling household appliances.

Before using the appliance for the first time please read carefully and thoroughly through these operating instructions and the safety advice, completely familiarising yourself with the appliance. Retain these instructions for future reference and pass them on to whoever might acquire the appliance at a future date.

## Important Safety Instructions

**Please keep this instruction manual in a safe place, along with the warranty card, purchase receipt and carton for future reference. The safety precautions enclosed here in reduce the risk of fire, electric shock and injury when correctly adhered to.**

- The input voltage of this product is 230V~, 50Hz. Before turning on, ensure the electrical voltage and frequency of the circuit corresponds to those indicated on the appliance.
- Do not place the appliance on window sills, sink drainboards, unstable surfaces, on electric or gas stoves, or in their vicinity. Only place the appliance on a stable, even, dry surface.
- Do not use the appliance near flammable materials such as curtains, kitchen towels, etc.



**Surface are liable to get hot during use.**

- When the appliance is in operation, the temperature of accessible surfaces may be higher. Do not touch the hot surface, otherwise, this could cause burns.
- A fire may occur if the appliance is covered or touches flammable material, including curtains, walls and the like, when in operation. Do not store any items on top of the appliance during operation.
- Always switch off the appliance and remove the plug from the electrical outlet when leaving it unattended or when not in use. Let the appliance cool down before moving or cleaning it.
- To protect against electrical shock, do not submerge the appliance in water or in any other liquid.

- Do not place heavy items on the power cord. Make sure that the power cord does not hang over the edge of a table or that it is not touching a hot surface.
- Power plug must be removed from power socket before cleaning, servicing, maintenance or moving the appliance. When it is not in use, unplug it.
- Disconnect the appliance from the power socket by gently pulling the plug of the power cord, and not the power cord itself. Otherwise, this could damage the power cord or the socket.
- The unit has no user-serviceable parts contained within. Do not attempt to repair, disassemble or modify the appliance.
- In the event that the power cord is damaged, it must be replaced with an original power cord that is available at an authorised service centre. It is forbidden to use the appliance if it has a damaged power cord.
- To avoid the danger of injury by electrical shock, do not repair the appliance yourself or make any adjustments to it. All repairs must be performed at an authorised service centre. By tampering with the appliance, you risk voiding your legal rights arising from unsatisfactory performance or quality warranty.
- Improper installation may result in the risk of fire, electric shock and or injury to persons.
- The manufacturer/distributor is not responsible for any eventual damages caused by improper or faulty use.

## Caution!



**Do not use the appliance near showers, bath tubs, wash basins, swimming pools, etc.**



**Do not cover the appliance while it is functioning to avoid overheating with the attendant risk of fire.**



**WARNING:** Do not use the appliance with a programmer, timer, separate remote-control system, or any other device that turns the heater on automatically, as there is a risk of fire if the heater is covered or not positioned correctly.



**WARNING:** This heater is not equipped with a device to control the room temperature. Do not use this heater in small rooms when they are occupied by persons not capable of leaving the room on their own, unless constant supervision is provided.

- **Close supervision is necessary when any appliance is used by or near children. Children should be supervised to ensure that they do not play with the appliance.**
- **This appliance shall not be used by children from 0 year to 8 years. This appliance can be used by children aged from 8 years and above and persons with reduced physical, sensory or mental capabilities or lack of experience and knowledge if they have been given supervision or instruction concerning use of the appliance in a safe way and understand the hazards involved. Children shall not play with the appliance. Keep the appliance and its cord out of reach of children aged less than 8 years.**
- **Cleaning and user maintenance shall not be made by children unless older than 8 and supervised.**
- **Children of less than 3 years should be kept away unless continuously supervised.**
- **Children aged from 3 years and less than 8 years shall only switch on/off the appliance provided that it has been placed or installed in its intended normal operating position and they have been given supervision or instruction concerning use of the appliance in a safe way and understand the hazards involved. Children aged from 3 years and less than 8 years shall not plug in, regulate and clean the appliance or perform user maintenance.**
- **CAUTION — Some parts of this product can become very hot and cause burns. Particular attention has to be given where children and vulnerable people are present.**



## **Caution!**

**This heater is filled with a precise quantity of special oil. Repairs requiring opening of the oil container are only to be made by the manufacturer or his service agent who should be contacted if there is an oil leakage. Regulations' concerning the disposal of the oil when scrapping the appliance has to be followed.**

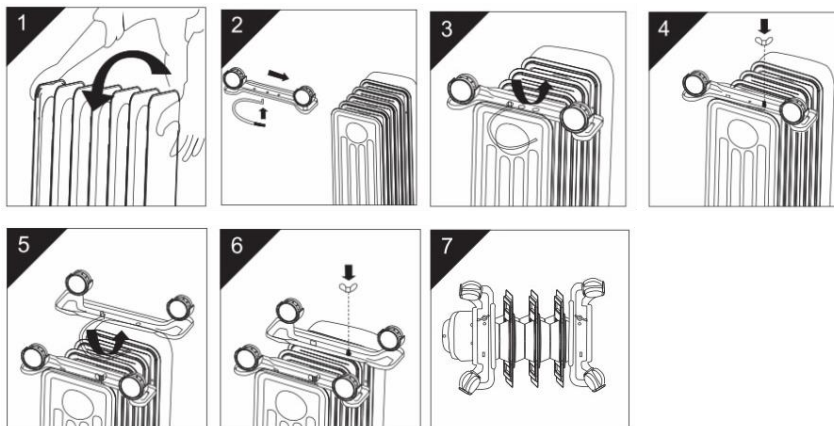
## Description of the appliance

1 – Handle	2 – Pilot Lamp
3 – Thermostat control	4 – Power settings switch
5 – Oil filled Fins	6 – Cord storage
7 – Wheels	8 – Wheels support

## Assembly

Remove the heater and all the accessories from the carton.

1. Turn the radiator upside-down.
2. Fit the wheels assemblies onto the radiator by placing the U-shaped bolts between the outermost fins on each side of the radiator.
3. Please fit the wheel bases as the picture. Other position may affect the stability of the radiator.
4. Securely fasten the wheels assemblies onto the radiator by screwing the wing nuts onto the bolts.
5. Turn the radiator up right.
6. **WARNING:** Only operate the radiator in normal upright position with wheels assemblies attached to the bottom (wheels on the bottom, controls on the top), any other position could create a hazardous situation.



## Where to locate the appliance

- Position the radiator on the floor at least 90cm away from the wall and any other objects such as furniture, curtains or plants and under the coldest window in the room or wherever else you want.
- The radiator will reduce the effects of cold draughts to a minimum.
- The appliance must not be positioned directly underneath a fixed power point.
- Do not use the appliance in rooms with a surface area of less than 4m<sup>2</sup>.

## Connection

- The radiator must be connected to a perfectly functioning 230V~ socket.
- Avoid contact between clothing, household linen, furniture, inflammable material and the socket providing power to the radiator.

## How to Operate

1. Room temperature can be adjusted using the thermostat. Simply turn the thermostat knob clockwise, to increase the heat, and anti-clockwise to decrease the temperature, until you reach the desired temperature.
2. Turn the power switch from “0” to either “●” (Minimum heating), or “●●” (Medium heating) or “●●●” (Maximum heating).
3. The pilot lights up when activated.
4. Turning the thermostat control clockwise will increase the “set” temperature.
5. Turning the thermostat anti-clockwise will decrease the “set” temperature.
6. Do not cover the heater at any time during operation. There is a risk of fire if the heater is covered.
7. Once you have finished using your heater, turn the power switches off, and the thermostat control switch to the “0” position, and unplug from the mains supply.

**IMPORTANT:** When in use, the radiator should always be kept vertical (wheels at the bottom, controls at the top). Any other position could be dangerous!

### Tip-over protection

This heater is protected with a safety switch that turns off the appliance automatically when the heater falls over or is at an excessive angle from the horizontal. This helps prevent accidents, and the heater will resume operation when it is put back upright.

### Overheat protection

This heater is protected with overheat protection that switches off the appliance automatically in case of severe overheating. In this case, unplug the appliance, wait about 30 minutes for it to cool and remove any possible cause of overheating, e.g., something covering the heater. Check for damage to the appliance, the cord and the plug. If there is no damage, plug the unit back in and switch it on as described above. If the heater still does not turn on, please contact Customer Service for assistance.

## Maintenance and Cleaning

1. Always remove the plug from the socket-outlet and allow the heater to cool down before cleaning it.
2. Wipe the exterior surface of the heater occasionally with a soft damp cloth (not dripping wet) and dry the exterior surface before operating the heater.

### **WARNING:**

**DO not immerse the heater in water.**

**DO not use any cleaning chemicals such as detergents and abrasives.**

**DO not allow the interior to get wet as this could create a hazard.**

## Storing your oil-filled heater

1. Save the box for off season storage.
2. Clean the heater following the cleaning instructions above.
3. Remove the wheel base assemblies.
4. Place the heater, and wheel assemblies in the original box, and store in a cool and dry place.
5. If you choose to store your heater fully assembled, be sure to cover it to protect it from dust.

## Technical Data

	OH-009.006A / OH-011.007A
Rated voltage	230V~
Rated input frequency	50Hz
No. of heating stages	3
Rated power	2000W / 2500 kW
Product type	Portable
Thermostat type	Mechanical
Protection class	Class I



## Conformity CE

This product has been tested and produced according to all relevant current CE guidelines, such as:



- Electromagnetic compatibility Directive 2014/30/EU,
- Low voltage Directive (LVD) Directive 2014/35/EU,
- RoHS with its amendments Directive EU 2015/863,

and has been constructed in accordance with the latest safety regulations.

The CE mark attests this product with all relevant directives.

## Disposal – Environment policy

### Packing



The packaging material is entirely recyclable and marked with the recycling symbol. Follow local regulations for scrapping. Keep the packaging materials (plastic bags, polystyrene parts, etc.) out of reach of children, as they are potentially dangerous.

### Disposal

**This appliance is marked according to the European directive 2012/19/EU on Waste Electrical and Electronic Equipment (WEEE).**

By ensuring this product is disposed of correctly, you will help prevent potential negative consequences for the environment and human health, which could otherwise be caused by inappropriate waste handling of this product.



This symbol on the product, or on the documents accompanying the product, indicates that this appliance may not be treated as household waste. Instead, it shall be handed over to the applicable collection point for the recycling of electrical and electronic equipment.

Disposal must be carried out in accordance with local environmental regulations for waste disposal. For more detailed information about treatment, recovery and recycling of this product, please contact your local city office, your household waste disposal service or the shop where you purchased the product.

## Warranty Terms and Conditions

1. The product is guaranteed for the period stipulated by the legislation where it is placed on the market, starting from the date of purchase, against manufacturing defects and/or workmanship. The lack of conformity manifested in this period is presumed to exist at the date of purchase. After this period, it is for the customer to prove that the lack of conformity already existed at the time of delivery.
2. If, during the warranty period, the product is defective in normal use, the buyer should contact the selling establishment and send the appliance to the place indicated by the seller.
3. The warranty is only valid upon presentation of the invoice proving the purchase and the completed warranty certificate (indicating the date of purchase, the name of the dealer, the reference of the model, and it is also recommended to indicate the serial number and lot number).
4. The importer/seller reserves the right to refuse warranty assistance in the event that such information has been deleted or altered after the original purchase of the product.
5. The responsibility of the importer/seller includes in particular the costs of repairing and/or replacing the unit covered by the warranty with the reservation of the right to replace it with an equivalent product, in cases where it is not possible to repair it.
6. The warranty does not apply to problems that are not directly related to defects in material, design or workmanship.
7. This product is an appliance and is intended for home use only. The warranty will be void if the product is used for professional purposes.
8. The warranty does not cover damage caused by misuse, improper installation, spillage, external factors, or intentional damage.
9. The warranty does not cover damage resulting from falls, use of excessive force, blows, exposure to extreme environmental conditions or deterioration caused by the normal use of plastic parts or keyboards, as well as the use of batteries other than those specified in this manual.
10. The warranty does not cover installation and programming by the dealer. In particular, no claim for installation and free programming by the reseller may be accepted.
11. The warranty does not cover deficiencies that insignificantly impair the operation of the appliance. Other costs, such as installation, transportation and travel of the technician are expressly excluded from the warranty.
12. The applicability of the warranty presupposes that the appliance is sent to the seller or place indicated by him, complete and in well-protected packaging (if possible, in its original packaging) and accompanied by its sheet or warranty card duly filled out and proof of purchase.
13. If after verification, it is found that there are no reasons for the claim, or that the product is not defective, the inherent costs will be imputed to the customer, and the dealer is authorized to charge those costs to the customer.
14. The warranty will be void when it shows signs that an unauthorized person has attempted to carry out repairs, modifications or replacement of parts on the appliance.
15. Repairs carried out after the end of the warranty period are subject to costs.
16. This warranty does not affect your legal rights that you may have as a consumer under applicable national law governing the purchase of products where the product is sold.
17. **Warranty Period:**
  - European Union countries** - European Directives (EU) 2019/771 and (EU) 2019/770 apply on certain aspects of contracts for the purchase and sale of movable property and transposed into the national laws of their countries.
  - Other countries** - national legislation on consumer rights in their country applies. In the case of no official legislation, the guarantee shall be applied at the discretion of the importer placing the product on the market or the seller establishment.

# Português

## Estimado Cliente

Obrigado por ter escolhido um produto HÆGER.

Os produtos HÆGER foram concebidos a pensar no bem-estar do consumidor, privilegiando os mais elevados padrões de qualidade, funcionalidade e designe. Estamos certos da sua satisfação pela aquisição deste produto.

Partimos do princípio de que o utilizador possui conhecimentos gerais sobre o manuseamento com eletrodomésticos.

Antes da primeira utilização, leia cuidadosa e totalmente estas instruções de utilização e de segurança e familiarize-se com as funções do aparelho. Guarde estas instruções para referência futura e transmita-as a quem venha a adquirir o aparelho no futuro.

## Conselhos e advertências de segurança

**Por favor mantenha este manual de instruções em lugar seguro, tal como a garantia preenchida e talão de venda para efeitos de garantia. As mediadas de segurança incluídas aqui reduzem risco de fogo, choque elétrico e acidentes pessoais quando corretamente ligados.**

- A tensão de entrada deste produto é de 230V~, 50Hz. Antes de ligar, assegure-se de que a voltagem elétrica e a frequência são a correspondente à indicada no rótulo do aparelho.
- Não coloque o aparelho no parapeito da janela, escorredor do lava-loiça, superfícies instáveis, em fogões a gás ou elétricos ou nas suas proximidades. Apenas coloque o aparelho numa superfície uniforme, seca e estável.
- Não utilize o aparelho perto de materiais inflamáveis como cortinas, toalhas de cozinha, etc.



### **A superfície poderá aquecer durante a utilização.**

- Quando o aparelho está em funcionamento, a temperatura das superfícies acessíveis pode ser superior. Não toque na superfície quente, caso contrário, pode sofrer queimaduras.
- Poderá ocorrer um incêndio se o aparelho for coberto ou tocar em material inflamável, incluindo cortinas, paredes e similares, quando em operação. Não guarde qualquer artigo em cima do aparelho durante o seu funcionamento.
- Desligue sempre o aparelho e retire a ficha da tomada elétrica quando o deixar sem supervisão ou quando não está a utilizá-lo. Deixe o aparelho arrefecer antes de o mover ou limpar.
- Para se proteger de choque elétrico, não submerja o aparelho em água ou em qualquer outro líquido.

- Não coloque artigos pesados sobre o cabo de alimentação. Certifique-se de que o cabo de alimentação não fica pendurado na extremidade de uma mesa e que não está em contacto com uma superfície quente.
- A ficha elétrica deve ser retirada da tomada elétrica antes de ser efetuada a limpeza, manutenção ou na mudança de local da fritadeira. Quando a fritadeira não se encontra em uso, retire a ficha da tomada.
- Desligue o aparelho da tomada elétrica puxando levemente a ficha do cabo de alimentação e não pelo próprio cabo. Caso contrário, isto pode danificar o cabo de alimentação ou a tomada.
- A unidade não contém peças que possam ser reparadas pelo utilizador. Não tente consertar, desmontar ou modificar o aparelho.
- No caso de o cabo de alimentação estar danificado, deve ser substituído por um cabo de alimentação original que está disponível num centro de serviço autorizado. É proibido utilizar o aparelho se o cabo de alimentação estiver danificado.
- Para evitar o perigo de ferimentos devido a choque elétrico, não repare o aparelho sozinho ou efetue quaisquer ajustes no mesmo. Contacte um centro de serviço autorizado para realizar todas as reparações ou ajustes. Se manipular o aparelho sem autorização, corre o risco de anular os seus direitos legais associados à garantia de desempenho ou qualidade insatisfatórios.
- A instalação inadequada pode resultar em risco de incêndio, choque elétrico e ou ferimentos às pessoas.
- O fabricante/distribuidor não se responsabiliza por qualquer eventual avaria causada por má utilização ou utilização indevida.

## Cuidado!



**Não utilizar o aparelho nas proximidades de duches, banheiras, lavatórios, piscinas, etc.**



**Não cobrir o aparelho durante o funcionamento para evitar sobreaquecimento e risco de incêndio.**



**Atenção:** Este aparelho não foi concebido para ser controlado através de um dispositivo programado, interruptor de temporizador externo ou controle remoto.



**AVISO:** Este aquecedor não está equipado com um dispositivo para controlar a temperatura ambiente. Não use este aquecedor em salas pequenas quando estiverem ocupadas por pessoas que não possam sair da sala por conta própria, a menos que seja fornecida supervisão constante.

- É necessária supervisão cuidadosa quando qualquer aparelho for usado por ou perto de crianças. As crianças devem ser supervisionadas para garantir que não brinquem com o aparelho.
- Este aparelho não deve ser utilizado por crianças com idades compreendidas entre os 0 e os 8 anos. Este aparelho pode ser utilizado por crianças com mais de 8 anos e por pessoas com capacidades físicas, sensoriais ou mentais reduzidas, assim como com falta de experiência e conhecimentos, caso sejam supervisionadas ou instruídas sobre como utilizar o aparelho de modo seguro e compreendam os riscos envolvidos. As crianças não devem brincar com o aparelho. Mantenha o aparelho e respetivo cabo fora do alcance de crianças com idade inferior a 8 anos.
- A limpeza e manutenção não devem ser realizadas por crianças a não ser que tenham mais de 8 anos e sejam supervisionadas.
- Crianças com menos de 3 anos devem ser mantidas afastadas, a menos que sejam supervisionadas continuamente.
- As crianças com menos de 3 anos e menos de 8 anos só podem ligar / desligar o aparelho desde que este tenha sido colocado ou instalado na sua posição normal de funcionamento e tenham recebido supervisão ou instruções relativas à utilização segura do aparelho e compreender os perigos envolvidos. Crianças com idade entre 3 anos e menos de 8 anos não devem ligar, regular e limpar o aparelho ou realizar a manutenção do usuário.
- CUIDADO - Algumas partes deste produto podem ficar muito quentes e causar queimaduras. Atenção especial deve ser dada quando crianças e pessoas vulneráveis estiverem presentes.



## **Cuidado!**

Este radiador está preenchido com uma quantidade precisa de óleo especial. As reparações que requerem a abertura do recipiente de óleo só devem ser feitas apenas pelo fabricante ou pelo seu mandatário que deve ser contactado em caso de vazamento do óleo. Devem ser seguidos todos os regulamentos relativos à eliminação do óleo quando retirado.

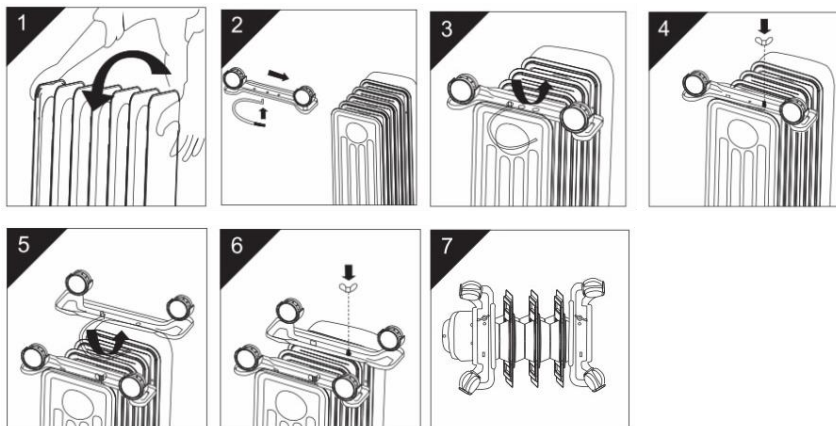
## Descrição do aparelho

1 – Pega de transporte	2 – Luz de controlo
3 – Termóstato de controlo	4 – Botão de potência
5 – Elementos de aquecimento a óleo	6 – Arrumação do cabo
7 – Rodas	8 – Suporte de rodas

## Montagem

Remove o radiador e todos os componentes do interior da embalagem.

1. Vire o radiador de cabeça para baixo.
2. Instale os conjuntos de rodas no radiador colocando os parafusos em forma de U entre as aletas mais externas em cada lado do radiador.
3. Ajuste as bases das rodas como a imagem. Outra posição pode afetar a estabilidade do radiador.
4. Aperte firmemente os conjuntos de rodas no radiador enroscando as porcas borboletas nos parafusos.
5. Gire o radiador para a sua posição normal.
6. **ADVERTÊNCIA:** Opere o radiador apenas na posição vertical normal com as rodas montadas na parte inferior (rodas na parte inferior, controles na parte superior), qualquer outra posição pode criar uma situação perigosa.



## Onde colocar o aparelho

- Coloque o radiador no chão a uma distância de pelo menos 90cm da parede ou outros objetos, como móveis, cortinas e plantas e debaixo da janela mais fria da divisão ou em qualquer outro ponto à escolha.
- O radiador reduzirá ao mínimo os efeitos das correntes frias.
- O aparelho não deve ser colocado diretamente sob uma tomada fixa.
- Não utilize o aparelho em divisões com uma superfície inferior a 4m<sup>2</sup>.

## Ligação

- O radiador deve ser ligado a uma tomada de 230V~ e em perfeitas condições de funcionamento.
- Evite o contacto de vestuário, roupa de casa, móveis e material inflamável com a tomada que alimenta o radiador.

## Como operar

1. A temperatura ambiente pode ser regulada usando o termóstato. Basta girar o botão do termóstato no sentido horário para aumentar o calor e no sentido anti-horário para baixar a temperatura até atingir a temperatura desejada.
2. Ligue o interruptor de "0" para "●" (aquecimento mínimo), ou "●●" (aquecimento Médio) ou "●●●" (aquecimento máximo).
3. A lâmpada de controlo acende quando o radiador está ativo.
4. Girando o termóstato no sentido horário irá aumentar a temperatura.
5. Girando o termóstato no sentido anti-horário, irá diminuir a temperatura.
6. Não cubra o radiador em qualquer caso, durante o uso. Risco de incêndio se o aquecedor for coberto.
7. Depois de terminar o uso, gire o botão de potência e o do termóstato para a posição "0" e desligue o cabo de energia.

**ATENÇÃO:** Utilize o radiador mantendo-o sempre na posição vertical. Qualquer outra posição pode originar uma situação de perigo!

### Proteção contra tombamento

Este aquecedor está equipado com um interruptor de segurança que desliga o aparelho automaticamente quando o aquecedor cai ou está em um ângulo excessivo em relação à horizontal. Isso ajuda a evitar acidentes e o aquecedor retomará a operação quando for colocado de volta na vertical.

### Proteção contra o sobreaquecimento

Este aquecedor está equipado com um sensor de temperatura contra sobreaquecimento que desliga o aparelho automaticamente em caso de sobreaquecimento grave. Neste caso, desligue o aparelho, espere cerca de 30 minutos para o arrefecer e remova qualquer possível causa de sobreaquecimento, por ex. algo cobrindo o aquecedor. Verifique se há danos no aparelho, no cabo e na ficha. Caso não apresente danos visíveis, ligue a unidade novamente à tomada elétrica e ligue-a conforme descrito acima. Se o aquecedor ainda não ligar, entre em contato com o Atendimento ao Cliente para obter assistência.

## Manutenção e Limpeza

1. Remova sempre a ficha da tomada e deixe o aquecedor esfriar antes de limpá-lo.
2. Limpe a superfície externa do aquecedor ocasionalmente com um pano macio e húmido (sem pingar) e seque a superfície externa antes de operar o aquecedor.

### ATENÇÃO:

**NÃO mergulhe o aquecedor em água.**

**NÃO use produtos químicos de limpeza, como detergentes e abrasivos.**

**NÃO permita que o interior se molhe, pois isso pode criar um risco.**

## Armazenamento

1. Mantenha a embalagem para o armazenamento após o uso.
2. Limpe o radiador de acordo com as instruções acima.
3. Remova a base do conjunto da roda.
4. Coloque o radiador e roda na embalagem original e guarde-o em local seco e fresco.
5. Se escolher guardar o radiador todo montado, cubra-o para protegê-lo de poeira.

## Características técnicas

	OH-009.006A / OH-011.007A
Tensão nominal	230V~
Frequência nominal	50Hz
No. de estágios de aquecimento	3
Potência nominal	2000W / 2500 kW
Tipo de produto	Portátil
Tipo de termostato	Mecânico
Classe de proteção	Classe I



## Conformidade CE

Este aparelho foi testado e produzido de acordo com todas as atuais diretivas relevantes da UE, tais como:



- Diretiva de Compatibilidade eletromagnética 2014/30/EU,
- Diretiva de Baixa tensão LVD 2014/35/EU,
- Diretiva RoHS e respetiva emenda EU 2015/863

e foi fabricado de acordo com as mais recentes normas de segurança.

A marcação CE atesta este produto com todas as diretivas relevantes.

## Eliminação – Política ambiental

### Embalagem



A embalagem é constituída por material inteiramente reciclável e está marcada com o símbolo de reciclagem. Para a eliminação, respeite as normas locais. Os materiais de embalagem (sacos de plástico, pedaços de poliestireno, etc.) devem ser mantidos fora do alcance das crianças dado que constituem potenciais fontes de perigo.

### Eliminação

**Este aparelho está classificado de acordo com a Diretiva Europeia 2012/19/EU sobre Resíduos de equipamento elétrico e eletrónico (CEE).**

Ao garantir a eliminação adequada deste produto, estará a ajudar a evitar potenciais consequências negativas para o ambiente e para a saúde pública, que poderiam derivar de um manuseamento de desperdícios inadequado deste produto.



Este símbolo no produto, ou nos documentos que acompanham o produto, indica que este aparelho não pode ser tratado como lixo doméstico. Pelo contrário, deve ser entregue no ponto de recolha para a reciclagem de equipamento elétrico e eletrónico.

A eliminação dever ser efetuada de acordo com as normas ambientais locais para a deposição de resíduos. Para obter informações mais detalhadas sobre o tratamento, a recuperação e reciclagem deste produto, entre em contacto com o departamento local, o serviço de recolha de lixo ou a loja onde adquiriu o produto.

# Garantia

## Termos e Condições de garantia

1. O produto é garantido pelo período estipulado pela legislação onde é colocado no mercado, iniciando-se a partir da data de compra, contra defeitos de fabrico e/ou mão-de-obra. A falta de conformidade que se manifeste nesse prazo, presume-se existente à data da compra. Decorrido este prazo cabe ao cliente provar que a falta de conformidade já existia à data da entrega.
2. Se, durante o período de garantia, o produto apresentar qualquer defeito, em situação de utilização normal, o comprador deverá entrar em contacto com o estabelecimento vendedor e remeter o aparelho para o local por este indicado.
3. A garantia só é válida mediante a apresentação da fatura comprovativa da compra e do certificado de garantia preenchido (indicando a data de aquisição, o nome do revendedor, a referência do modelo, sendo ainda recomendada a indicação do número de série e número do lote).
4. O importador/vendedor reserva-se o direito de recusar assistência em garantia no caso de as referidas informações terem sido apagadas ou alteradas após a compra original do produto.
5. A responsabilidade do importador/vendedor inclui nomeadamente os custos da reparação e/ou substituição da unidade coberta pela garantia com a reserva do direito de substituir por um produto equivalente, nos casos em que não seja possível a sua reparação.
6. A garantia não é aplicável a problemas que não estejam diretamente relacionados com defeitos de material, conceção ou mão-de-obra.
7. Este produto é um eletrodoméstico e destina-se apenas a uso doméstico. A garantia perderá validade se o produto for usado para fins profissionais.
8. A garantia não cobre danos causados por uso incorreto, instalação incorreta, derramamento, fatores externos ou danos intencionais.
9. A garantia não cobre danos resultantes de quedas, uso de força excessiva, golpes, exposição a condições ambientais extremas ou deterioração causada pelo uso normal de peças plásticas ou teclados, bem como pelo uso de baterias diferentes das especificadas neste manual.
10. A garantia não cobre a instalação e programação por parte do revendedor. Em particular, não poderão ser aceites reclamação para instalação e programação gratuita por parte do revendedor.
11. A garantia não cobre deficiências que prejudicam de forma insignificante o funcionamento do aparelho. Outros custos, tais como a instalação, transporte e/ou deslocação de técnicos estão expressamente excluídos da garantia.
12. A aplicabilidade da garantia pressupõe que o aparelho seja enviado ao estabelecimento vendedor ou para o local por este indicado, completo e em embalagem bem protegida (se possível na sua embalagem original) e acompanhado da respetiva folha ou cartão de garantia, devidamente preenchida e da prova de compra.
13. Se após a verificação, se concluir que não existem motivos para a reclamação, ou que o produto não apresenta defeitos, os custos inerentes serão imputados ao cliente, estando o revendedor autorizado a cobrar esses custos ao cliente.
14. A garantia perderá validade, quando apresente sinais de que alguma pessoa não autorizada tenha tentado efetuar reparações, modificações ou substituições de peças no aparelho.
15. As reparações realizadas após o final do período de garantia estão sujeitas a custos
16. Esta garantia não afeta os seus direitos legais que possa ter como consumidor ao abrigo da legislação nacional aplicável que rege a compra de produtos onde o produto é vendido.

## 17. Período de Garantia:

**Países da União Europeia** - aplicam-se as Diretivas Europeias (EU) 2019/771 e (EU) 2019/770 relativa a certos aspetos dos contratos de compra e venda de bens móveis e transpostas para as legislações nacionais dos respetivos países.

**Outros países** - aplica-se a legislação nacional sobre os direitos do consumidor do respetivo país. Não existindo legislação oficial, a garantia será aplicada segundo o critério do importador que coloca o produto no mercado ou do estabelecimento vendedor.

# Español

## Estimado cliente

Gracias por elegir un producto HÆGER.

Los productos HÆGER están diseñados para el bienestar de los consumidores, haciendo hincapié en los más altos estándares de calidad, funcionalidad y diseño. Estamos seguros de su satisfacción con la compra de este producto.

Suponemos que el usuario tiene conocimientos generales sobre el manejo de los aparatos eléctricos.

Antes de utilizar el aparato por primera vez, lea atenta y completamente este manual de instrucciones y los consejos de seguridad, familiarizándose completamente con el aparato. Conserve estas instrucciones para futuras consultas y entréguelas a quien pueda adquirir el aparato en una fecha futura.

## Consejos y advertencias de seguridad

**Guarde este manual en un lugar seguro, con la garantía y el recibo de venta. Las medidas de seguridad tienen lo objetivo de reducir el riesgo de incendios, descargas eléctricas y lesiones personales cuando está correctamente conectado.**

- El voltaje de entrada de este producto es 230V~, 50Hz. Antes de encender, asegúrese de que la tensión eléctrica y la frecuencia del circuito correspondan a las indicadas en el aparato.
- No coloque el aparato en repisas de ventana, fregaderos, o superficies inestables, ni tampoco sobre fogones eléctricos o de gas ni en sus inmediaciones. El aparato únicamente debe colocarse sobre una superficie estable, plana y seca.
- No utilice el aparato cerca de materiales inflamables, como cortinas, trapos de cocina, etc.



### **La superficie puede calentarse durante el uso.**

- Cuando el aparato está en funcionamiento, la temperatura de las superficies accesibles puede ser más alta. No toque la superficie caliente, de lo contrario, esto podría causar quemaduras.
- Se puede producir un incendio si el aparato está cubierto o toca material inflamable, incluidas cortinas, paredes y similares, cuando está en funcionamiento. No apoye ningún objeto sobre el aparato mientras esté en funcionamiento.
- Siempre apague el aparato y retire el enchufe de la toma de corriente cuando lo deje desatendido o cuando no esté en uso. Deje que el aparato se enfríe antes de moverlo o limpiarlo.

- Para proteger contra descargas eléctricas, no sumerja el aparato en agua o en cualquier otro líquido.
- No coloque objetos pesados sobre el cable de alimentación. Asegúrese de que el cable de alimentación no cuelgue fuera del borde de la mesa y de que no esté en contacto con una superficie caliente.
- El enchufe de alimentación debe retirarse de la toma de corriente antes de limpiar, reparar, mantener o mover el aparato. Cuando no esté en uso, desconéctelo.
- Para desconectar el aparato de la toma de corriente, se debe tirar con suavidad del enchufe del cable de alimentación, nunca del propio cable. De lo contrario, podrían producirse daños en el cable de alimentación o en la toma de corriente.
- La unidad no contiene piezas que pueda reparar el usuario. No intente reparar, desmontar o modificar la freidora.
- Si se producen daños en el cable de alimentación, deberá sustituirse por un cable de alimentación original a través de un centro de servicio autorizado. Se prohíbe el uso del aparato si el cable de alimentación está dañado.
- Para evitar que se produzca una descarga eléctrica y alguien resulte herido, no se debe intentar reparar ni realizar ajustes en el aparato por cuenta propia. Lleve el aparato a un centro de servicio técnico autorizado para realizar todas las reparaciones o ajustes. Si se altera el aparato, se corre el riesgo de perder los derechos legales derivados de la garantía por calidad o rendimiento insatisfactorios.
- Una instalación defectuosa de la freidora puede resultar en el riesgo de incendio, choque eléctrico o lesiones personales.
- El fabricante/distribuidor no se hace responsable de posibles daños causados por mal uso o uso indebido.

## ¡Precaución!



**No utilizar el aparato demasiado cerca de duchas, bañeras, lavabos, piscinas etc.**



**No tapar el aparato durante su funcionamiento para evitar recalentamientos y riesgos de incendio.**



**Atención:** Este aparato no está diseñado para ser controlado mediante un dispositivo programado, un interruptor con temporizador externo o con un mando a distancia.



**ADVERTENCIA:** este calentador no está equipado con un dispositivo para controlar la temperatura ambiente. No utilice este calentador en habitaciones pequeñas cuando estén ocupadas por personas que no puedan salir de la habitación por su cuenta, a menos que se proporcione supervisión constante.

- **Es necesaria una estrecha supervisión cuando cualquier aparato es utilizado por niños o cerca de ellos. Los niños deben ser supervisados para asegurarse de que no jueguen con el aparato.**
- **Este aparato no debe ser utilizado por niños de 0 a 8 años. Este aparato puede ser utilizado por niños a partir de los 8 años y por personas con capacidades físicas, sensoriales o mentales reducidas, o que no tengan experiencia ni conocimientos, si son supervisados o instruidos en el uso del aparato de forma segura y entienden los riesgos implicados. Los niños no pueden jugar con el aparato. Mantenga el aparato y el cable fuera del alcance de los niños menores de 8 años.**
- **Los niños no podrán realizar la limpieza ni el mantenimiento a menos que tengan más de 8 años y cuenten con supervisión.**
- **Los niños menores de 3 años deben mantenerse alejados, a menos que sean supervisados continuamente.**
- **Los niños de 3 años y menos de 8 años solo deben encender / apagar el aparato siempre que lo hayan colocado o instalado en la posición de funcionamiento normal prevista y que hayan recibido supervisión o instrucciones sobre el uso del artefacto de forma segura y comprender los peligros involucrados. Los niños de 3 años y menores de 8 años no deben enchufar, regular y limpiar el electrodoméstico ni realizar tareas de mantenimiento por parte del usuario.**
- **PRECAUCIÓN:** algunas partes de este producto pueden calentarse mucho y causar quemaduras. Se debe prestar especial atención a la presencia de niños y personas vulnerables.



### **¡Precaución!**

Este calentador está lleno de una cantidad precisa de aceite especial. Las reparaciones que requieran la apertura del contenedor de aceite solo deben ser realizadas por el fabricante o su agente de servicio, a quienes se debe contactar si hay una fuga de aceite. Deben seguirse las normas relativas a la eliminación del aceite al desechar el aparato.

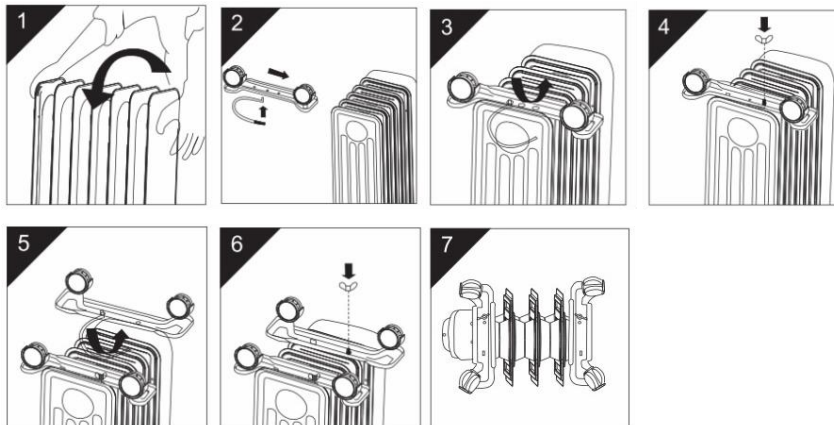
## Descripción del aparato

1 – Asa de transporte	2 – El control de luz
3 – Control de Termostato	4 – Botón de encendido
5 – Elementos rellenos de aceite	6 – Almacenamiento de cable
7 – Ruedas	8 – Soporte de ruedas

## Montaje

Saque el radiador y todos los componentes del embalaje.

1. Ponga el radiador boca abajo.
2. Coloque los conjuntos de ruedas en el radiador colocando los pernos en forma de U entre las aletas más externas a cada lado del radiador.
3. Por favor, coloque las bases de las ruedas como la imagen. Otra posición puede afectar la estabilidad del radiador.
4. Fije firmemente los conjuntos de ruedas en el radiador atornillando las tuercas mariposa en los pernos.
5. Gire el radiador hacia su posición normal.
6. **ADVERTENCIA:** solo opere el radiador en posición vertical normal con ruedas montadas en la parte inferior (ruedas en la parte inferior, controles en la parte superior), cualquier otra posición podría crear una situación peligrosa.



## Donde colocar el aparato

- Sitúe el radiador en el suelo bajo la ventana más fría de la habitación o en cualquier otro punto.
- El radiador reducirá al mínimo los efectos de las corrientes frías.
- El aparato no debe estar colocado justo debajo de un enchufe de corriente fijo.
- No utilice el aparato en habitaciones cuya superficie sea inferior a 4m<sup>2</sup>.

## Conexión eléctrica

- Enchufe el radiador a un enchufe de CA 230 V~ en perfecto funcionamiento.
- Evite el contacto de ropa, lencería, muebles y material inflamable con el enchufe de corriente al que está conectado el radiador.

## Como Operar

1. La temperatura de la habitación puede ser regulada mediante el termostato. Simplemente gire el termostato en el sentido de las agujas del reloj para incrementar el calor y en el sentido contrario a las agujas del reloj para disminuir la temperatura, hasta alcanzar la temperatura deseada.
2. Gire el interruptor de alimentación de "0" a "●" (calefacción mínima) o "●●" (calefacción mediana) o "●●●" (calefacción máxima).
3. Los indicadores de encendido lucirán cuando estén activados.
4. Al girar el mando del termostato hacia la derecha aumentará la temperatura.
5. Bajar el termostato en sentido antihorario disminuirá la temperatura.
6. No cubra el radiador en ningún caso durante su uso. Hay riesgo de fuego si el radiador está cubierto.
7. Una vez terminada la utilización del aparato, apague los botones de encendido, y coloque el termostato en la posición "0" y desconéctelo de la corriente.

**ATENCIÓN:** Utilice el radiador siempre en posición vertical (ruedas abajo, mandos en alto). ¡Cualquier otra posición puede crear una situación de peligro!

### Protección contra volcaduras

Este calentador está protegido con un interruptor de seguridad que apaga el artefacto automáticamente cuando el calentador cae o está en un ángulo excesivo con respecto a la horizontal. Esto ayuda a evitar accidentes y el calentador volverá a funcionar cuando vuelva a colocarse en posición vertical.

### Protección contra el sobrecalentamiento

Este calentador está protegido con protección contra sobrecalentamiento que apaga el aparato automáticamente en caso de sobrecalentamiento severo. En este caso, desenchufe el aparato, espere unos 30 minutos para que se enfríe y elimine cualquier posible causa de sobrecalentamiento, por ejemplo, algo que cubre el calentador. Verifique que no haya daños en el aparato, el cable y el enchufe. Si no hay daños, vuelva a conectar la unidad y enciéndala como se describe arriba. Si el calentador aún no se enciende, comuníquese con el Servicio al cliente para obtener ayuda.

## Limpieza del radiador

1. Siempre quite el enchufe de la toma de corriente y permita que el calentador se enfríe antes de limpiarlo.
2. Limpie la superficie exterior del calentador ocasionalmente con un paño suave y húmedo (que no gotee) y seque la superficie exterior antes de operar el calentador.

### **ADVERTENCIA:**

**NO** sumerja el calentador en agua.

**NO** use productos químicos de limpieza como detergentes y abrasivos.

**NO** permita que el interior se moje, ya que podría crear un peligro.

## Guardando su radiador

1. Conserve el embalaje para guardarlo después de su uso.
2. Limpie el radiador según las anteriores instrucciones.
3. Quite la base de ensamblaje de las ruedas.
4. Coloque el radiador y el ensamblaje de las ruedas en el embalaje original, y guárdelo en lugar fresco y seco.
5. Protéjalo del polvo.

## Datos técnicos:

	OH-009.006A / OH-011.007A
Tensión nominal	230V~
Frecuencia de entrada nominal	50Hz
No. de etapas de calentamiento	3
Potencia nominal	2000W / 2500 kW
Tipo de producto	Portátil
Tipo de termostato	Mecánico
Clase de protección	Clase I



## Conformidad CE

Este producto ha sido probado y producido de acuerdo con las normativas actuales y pertinentes, tales como:



- Directiva de compatibilidad electromagnética 2014/30/EU,
- Directiva de baja tensión Directiva (LVD) 2014/35/EU,
- Directiva RoHS y su modificación EU 2015/863,

y ha sido construido de acuerdo con las últimas normas de seguridad.

La marca CE certifica este producto con todas las directivas relevantes relacionadas.

## Disposición – La política ambiental

### Embalaje



El material de embalaje es totalmente reciclable, como lo indica el símbolo correspondiente. Para su eliminación, respete las normas locales. No deje el material de embalaje (bolsas de plástico, trozos de poliestireno, etc.) al alcance de los niños; puede ser peligroso.

### Eliminación

**Este aparato lleva el marcado CE en conformidad con la Directiva 2012/19/EU del Parlamento Europeo y del Consejo sobre residuos de aparatos eléctricos y electrónicos (RAEE).**

La correcta eliminación de este producto evita consecuencias negativas para el medioambiente y la salud.



Este símbolo en el producto o en los documentos que acompañan el producto, indica que este aparato no puede ser tratado como residuos domésticos. En su lugar se debe entregar al punto de recogida para el reciclaje de equipos eléctricos y electrónicos.

Para eliminación debe realizarse de conformidad con las normas medioambientales para eliminación de residuos. Entrégalo a un vertedero autorizado, no lo deje ni siquiera por unos días, ya que es potencialmente peligroso para los niños.

Para obtener información más detallada sobre el tratamiento, recuperación y reciclaje de este producto, póngase en contacto con el ayuntamiento, su servicio de desechos del hogar o la tienda donde adquirió el producto.

## Términos y condiciones de la garantía

1. El producto está garantizado por el período estipulado por la legislación donde se comercializa, a partir de la fecha de compra, contra defectos de fabricación y/o mano de obra. La falta de conformidad que se manifieste dentro de este plazo, presume que existe en la fecha de compra. Después de este período, corresponde al cliente demostrar que la falta de conformidad ya existía en el momento de la entrega.
2. Si, durante el período de garantía, el producto es defectuoso en uso normal, el comprador debe ponerse en contacto con el establecimiento vendedor y enviar el electrodoméstico al lugar indicado por el vendedor.
3. La garantía solo es válida previa presentación de la factura que acredite la compra y el certificado de garantía completado (indicando la fecha de compra, el nombre del distribuidor, la referencia del modelo, y también se recomienda indicar el número de serie y el número de lote).
4. El importador / vendedor se reserva el derecho de rechazar la asistencia de garantía en caso de que dicha información haya sido eliminada o alterada después de la compra original del producto.
5. La responsabilidad del importador/vendedor incluirá, entre otras cosas, los costes de reparación y/o sustitución de la unidad cubierta por la garantía con la reserva del derecho a sustituirla por un producto equivalente, cuando no sea posible repararla.
6. La garantía no se aplica a problemas que no estén directamente relacionados con defectos de material, diseño o mano de obra.
7. Este producto es un electrodoméstico y está destinado solo para uso doméstico. La garantía se anula si el producto se utiliza con fines profesionales.
8. La garantía no cubre los daños causados por mal uso, instalación inadecuada, derrames, factores externos o daños intencionales.
9. La garantía no cubre los daños resultantes de caídas, uso de fuerza excesiva, golpes, exposición a condiciones ambientales extremas o deterioro causado por el uso normal de piezas de plástico o teclados, así como el uso de baterías distintas a las especificadas en este manual.
10. La garantía no cubre la instalación y programación por parte del distribuidor. En particular, no se aceptará ninguna reclamación de instalación y programación gratuita por parte del revendedor.
11. La garantía no cubre deficiencias que perjudiquen insignificadamente el funcionamiento del aparato. Otros costes, como la instalación, el transporte y el desplazamiento del técnico están expresamente excluidos de la garantía.
12. La aplicabilidad de la garantía presupone que el aparato sea enviado al establecimiento vendedor o al lugar indicado por éste, completo y en un embalaje bien protegido (si es posible en su embalaje original) y acompañado de la respectiva hoja o tarjeta de garantía, debidamente cumplimentado y comprobante de compra.
13. Si después de la verificación, se descubre que no hay razones para la reclamación, o que el producto no es defectuoso, los costos inherentes se imputarán al cliente, y el distribuidor está autorizado a cobrar esos costos al cliente.
14. La garantía quedará anulada cuando presente indicios de que una persona no autorizada ha intentado realizar reparaciones, modificaciones o sustitución de piezas en el aparato.
15. Las reparaciones realizadas una vez finalizado el período de garantía incurrir en costes.
16. Esta garantía no afecta a sus derechos legales que pueda tener como consumidor en virtud de la legislación nacional aplicable que rige la compra de productos donde se vende el producto.

### 17. Período de garantía:

**Países de la Unión Europea** - Las Directivas Europeas (UE) 2019/771 y (UE) 2019/770 se aplican a ciertos aspectos de los contratos de compraventa de bienes muebles y se transponen a las legislaciones nacionales de sus países.

**Otros países:** se aplica la legislación nacional sobre los derechos de los consumidores en su país. En caso de que no exista legislación oficial, la garantía se aplicará a discreción del importador que introduzca el producto en el mercado o del establecimiento vendedor.

# Français

## Cher Client

Merci d'avoir choisi un produit HÆGER.

Les produits HÆGER sont conçus pour le bien-être du consommateur, en insistant sur les plus hauts standards de qualité, de fonctionnalité et de design. Nous sommes certains de leur satisfaction à l'achat de ce produit.

Nous supposons que l'utilisateur détient des connaissances générales sur l'emploi des appareils électroménagers.

Avant la première mise en service, lisez attentivement le présent mode d'emploi et les instructions de sécurité et familiarisez-vous avec les fonctions de l'appareil. Conservez le présent mode d'emploi et le cas échéant, transmettez-le à des tiers.

## Consignes de sécurité importantes

**S'il vous plaît garder ce manuel d'instructions dans un endroit sûr, avec la carte de garantie, facture d'achat et de carton pour référence future. Les précautions de sécurité jointe ici en réduire le risque d'incendie, d'électrocution et de blessures lorsqu'il est correctement respecté.**

- La tension d'entrée de ce produit est 230V~, 50Hz. Avant la mise sous tension, assurez-vous que la tension électrique et la fréquence du circuit correspondent à celles indiquées sur l'appareil.
- Ne placez pas l'appareil sur ou à proximité de rebords de fenêtre, égouttoirs d'évier, surfaces instables, cuisinière ou plaques de cuisson électriques. L'appareil doit être placé sur une surface stable, sèche et plane uniquement.
- N'utilisez pas l'appareil à proximité de matériaux inflammables comme des rideaux, torchons, etc.



### **La surface peut devenir chaude à l'usage.**

- Lors du fonctionnement de l'appareil, la température des surfaces accessibles peut être élevée. Ne touchez pas les surfaces chaudes. Sinon, vous pourriez vous brûler.
- Un incendie peut se produire si l'appareil est couvert ou touche des matériaux inflammables, y compris des rideaux, des murs et autres, lorsqu'il est en marche. Ne rangez aucun objet sur le dessus de l'appareil pendant son fonctionnement.
- Éteignez toujours l'appareil et débranchez la fiche de la prise électrique lorsque vous le laissez sans surveillance ou lorsqu'il n'est pas utilisé. Laissez refroidir l'appareil avant de le déplacer ou de le nettoyer.

- Pour vous protéger contre les chocs électriques, ne plongez pas l'appareil dans l'eau ou dans tout autre liquide.
- Ne placez pas d'objets lourds sur le cordon d'alimentation. Assurez-vous que le cordon d'alimentation ne pende pas d'un bord de la table ou qu'il n'entre pas en contact avec une surface chaude.
- La fiche d'alimentation doit être retirée de la prise de courant avant le nettoyage, l'entretien, la maintenance ou le déplacement de l'appareil. Lorsqu'il n'est pas utilisé, débranchez-le.
- Débranchez l'appareil de la prise électrique en tirant doucement sur la fiche du câble d'alimentation, sans tirer directement sur le câble d'alimentation. Autrement, cela pourrait endommager le câble d'alimentation ou la prise.
- L'appareil ne contient aucune pièce réparable par l'utilisateur. N'essayez pas de réparer, démonter ou modifier la friteuse.
- Si le cordon d'alimentation est endommagé, il doit être remplacé par un cordon d'alimentation original disponible dans un centre de réparation autorisé. Il est interdit d'utiliser l'appareil si le cordon d'alimentation est endommagé.
- Pour éviter tout danger ou blessure par électrocution, ne pas réparer ni modifier l'appareil. Toutes les réparations ou réglages doivent être réalisés par un centre de réparation autorisé. En modifiant l'appareil, vous risquez d'annuler vos droits légaux découlant de la garantie pour qualité ou prestation non satisfaisante.
- Une installation incorrecte peut entraîner des risques d'incendie, d'électrocution et / ou de blessures corporelles.
- Le distributeur/fabricant n'est pas responsable des dommages éventuels causés par un usage impropre ou défectueux.

## Attention !



**Ne pas utiliser l'appareil tout près de douches, baignoires, éviers, piscines, etc.**



**Ne jamais couvrir l'appareil pendant le fonctionnement, pour éviter tout risque d'incendie.**



**Attention :** L'appareil n'est pas conçu pour être commandé en utilisant un dispositif externe, une minuterie externe ou une commande à distance.



**AVERTISSEMENT :** Cet appareil de chauffage n'est pas équipé d'un dispositif pour contrôler la température ambiante. N'utilisez pas cet appareil de chauffage

dans des pièces de petite taille lorsqu'elles sont occupées par des personnes qui ne sont pas capables de quitter la pièce par elles-mêmes, sauf si une surveillance constante est assurée.

- **Une surveillance étroite est nécessaire lorsqu'un appareil est utilisé par ou à proximité d'enfants. Les enfants doivent être surveillés pour s'assurer qu'ils ne jouent pas avec l'appareil.**
- **L'appareil ne doit pas être utilisé par des enfants de moins de 8 ans. Cet appareil peut être utilisé par des enfants de 8 ans ou plus et des personnes présentant un handicap physique, sensoriel ou mental voire ne disposant pas des connaissances et de l'expérience nécessaires en cas de surveillance ou d'instructions sur l'usage de cet appareil en toute sécurité et de compréhension des risques impliqués. Les enfants ne doivent pas jouer avec l'appareil. Maintenez l'appareil et son cordon d'alimentation hors de portée des enfants de moins de 8 ans.**
- **Le nettoyage et la maintenance utilisateur ne doivent pas être confiés à des enfants sauf s'ils ont 8 ans ou plus et sont sous surveillance.**
- **Les enfants de moins de 3 ans devraient être tenus à l'écart, sauf s'ils sont surveillés en permanence.**
- **Les enfants âgés de 3 ans et moins de 8 ans ne doivent allumer / éteindre l'appareil que s'il a été placé ou installé dans sa position normale de fonctionnement prévue et qu'ils ont reçu une surveillance ou des instructions concernant l'utilisation de l'appareil en toute sécurité et comprendre les dangers impliqués. Les enfants âgés de 3 ans et moins de 8 ans ne doivent pas brancher, régler et nettoyer l'appareil ni effectuer l'entretien par l'utilisateur.**
- **ATTENTION - Certaines parties de ce produit peuvent devenir très chaudes et provoquer des brûlures. Une attention particulière doit être accordée aux endroits où les enfants et les personnes vulnérables sont présents.**



## **Attention !**

Ce radiateur est rempli d'une quantité précise d'huile spéciale. Les réparations nécessitant l'ouverture du réservoir d'huile ne doivent être effectuées que par le fabricant ou son agent de service qui doit être contacté en cas de fuite d'huile.

## Descriptif de l'appareil

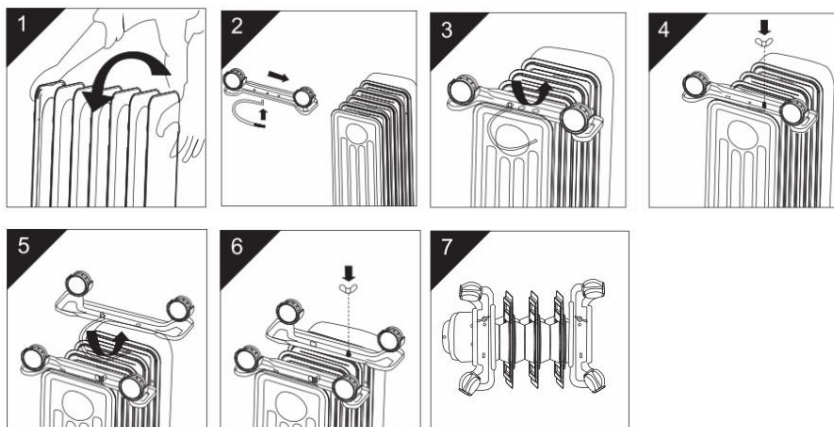
1 - Poignée	2 - Contrôle de la lampe
3 - Le réglage du thermostat	4 - Réglage des commutateurs de puissance
5 - Rempli d'huile	6 - Rangement du cordon
7 - Roue	8 - Support de roue

## Assemblage

Retirez le chauffe-eau et tous les accessoires du carton.

1. Mettez le radiateur à l'envers.
2. Monter les ensembles de roues sur le radiateur en plaçant les boulons en forme de U entre les ailettes les plus extérieures de chaque côté du radiateur.
3. Veuillez monter les empattements comme image. Une autre position peut affecter la stabilité du radiateur.
4. Fixez solidement les ensembles de roues sur le radiateur en vissant les écrous à oreilles sur les boulons.
5. Tournez le radiateur vers le haut à droite.

**AVERTISSEMENT** : Ne faites fonctionner le radiateur qu'en position verticale normale avec les roues attachées au fond (roues en bas, commandes en haut), toute autre position pourrait créer une situation dangereuse.



## Où installer l'appareil

- Positionnez le radiateur au sol, sous la fenêtre la plus froide de la pièce ou ailleurs si vous préférez.
- Le radiateur réduira au minimum les effets des courants froids.
- N'installez pas l'appareil juste au-dessous d'une prise de courant fixe.
- Évitez d'utiliser l'appareil dans des pièces de moins de 4m<sup>2</sup>.

## Branchement

- Le radiateur doit être branché sur une prise de AC 230V~ en parfait état.
- Évitez tout contact entre la prise de courant qui alimente le radiateur et les vêtements, la lingerie, les meubles et les matières inflammables.

## Comment opérer

1. La température ambiante peut être réglée à l'aide du thermostat. Il suffit de tourner le bouton du thermostat dans le sens horaire pour augmenter la chaleur et antihoraire pour baisser la température, jusqu'à ce que vous atteigniez la température désirée.
2. Tournez l'interrupteur d'alimentation de "0" à "●" (chauffage minimum) ou "●●" (chauffage moyen) ou "●●●" (chauffage maximum).
3. Le voyant lumineux s'allume lorsque activée.
4. En tournant le bouton du thermostat dans le sens horaire augmente la température.
5. Tourner le thermostat antihoraire diminue la température.
6. Ne pas couvrir le radiateur à tout moment pendant le fonctionnement. Il ya un risque d'incendie si le chauffage est couvert.
7. Une fois que vous avez fini d'utiliser votre appareil de chauffage, mettez les commutateurs hors tension et l'interrupteur de commande du thermostat sur la position «0» et débranchez-le de l'alimentation secteur.

**ATTENTION** : Utilisez le radiateur exclusivement debout à l'endroit (roulettes en bas, commandes en haut). Toute autre position pourrait être dangereuse !

## Protection contre les renversements

Cet appareil de chauffage est protégé par un interrupteur de sécurité qui éteint l'appareil automatiquement lorsque l'appareil de chauffage tombe ou est à un angle excessif par rapport à l'horizontale. Cela aide à prévenir les accidents et l'appareil de chauffage reprend son fonctionnement lorsqu'il est remis en position verticale.

## Protection contre la surchauffe

Ce chauffage est protégé par une protection contre la surchauffe qui coupe automatiquement l'appareil en cas de surchauffe importante. Dans ce cas, débranchez l'appareil, attendez environ 30 minutes pour qu'il refroidisse et éliminez toute cause possible de surchauffe, par ex. quelque chose couvrant le chauffage. Vérifiez que l'appareil, le cordon et la fiche ne sont pas endommagés. S'il n'y a aucun dommage, rebranchez l'appareil et allumez-le comme décrit ci-dessus. Si le chauffage ne s'allume toujours pas, veuillez contacter le service clientèle pour obtenir de l'aide.

## Entretien et Nettoyage

1. Retirez toujours la fiche de la prise de courant et laissez l'appareil refroidir avant de le nettoyer.

2. Essuyez occasionnellement la surface extérieure du radiateur avec un chiffon doux et humide (ne pas mouiller) et séchez la surface extérieure avant d'utiliser le radiateur.

**ATTENTION :**

**NE PAS immerger le radiateur dans l'eau.**

**N'utilisez pas de produits chimiques de nettoyage tels que détergents et abrasifs.**

**NE laissez PAS l'intérieur se mouiller car cela pourrait créer un danger.**

## Stockage

1. Conservez la boîte pour un stockage hors saison.
2. Nettoyez le radiateur en suivant les instructions de nettoyage ci-dessus.
3. Retirez les roues et les pieds de support par le bas.
4. Placez le radiateur et les supports dans la boîte d'origine et stockez-les dans un endroit frais et sec.
5. Si vous choisissez de ranger votre appareil de chauffage entièrement assemblé, assurez-vous de le couvrir pour le protéger de la poussière.

## Données techniques

	OH-009.006A / OH-011.007A
Tension nominale	230V~
Fréquence d'entrée nominale	50Hz
Nombre d'étages de chauffage	3
Puissance nominale	2000W / 2500 kW
Type de produit	Portable
Type de thermostat	Mécanique
Classe de protection	Classe I



## Conformité CE

Ce produit a été testé et produit selon toutes les directives européennes actuelles applicables, tels que :



- La compatibilité électromagnétique Directive 2014/30/EU,
- Directive Basse Tension Directive (LVD) 2014/35/EU,
- Directive RoHS avec ses modifications EU 2015/863,

et a été construit en conformité avec les dernières normes de sécurité.

Le marquage CE atteste ce produit à toutes les directives relevant.

## Élimination – La politique environnementale

### Emballage



L'emballage est entièrement recyclable et porte le symbole du recyclage. Pour la mise au rebut, suivez les réglementations locales en vigueur. Les matériaux d'emballage (sachets en plastique, éléments en polystyrène, etc.) doivent être tenus hors de portée des enfants, car ils constituent une source potentielle de danger.

### Mise au rebut

**Cet appareil porte le symbole du recyclage conformément à la Directive Européenne 2012/19/EU concernant les Déchets d'Équipements Électriques et Électroniques (DEEE ou WEEE).**

En procédant correctement à la mise au rebut de cet appareil, vous contribuerez à empêcher toute conséquence nuisible pour l'environnement et la santé de l'homme.



Ce symbole présent sur l'appareil ou sur la documentation qui l'accompagne indique que ce produit ne peut en aucun cas être traité comme déchet ménager.

Il doit plutôt être remis au point de collecte approprié pour le recyclage des équipements électriques et électroniques.

L'élimination doit être effectuée conformément aux règlements environnementaux locaux pour l'élimination des déchets. Pour des informations plus détaillées sur le traitement, la récupération et le recyclage de ce produit, s'il vous plaît contacter votre bureau compétent de votre commune, votre service d'élimination des déchets ménagers ou directement à votre revendeur où vous avez acheté le produit.

## Termes et conditions de la garantie

1. Le produit est garanti pour la période stipulée par la législation où il est mis sur le marché, à compter de la date d'achat, contre les défauts de fabrication et/ou de main d'œuvre. Le défaut de conformité manifesté dans ce délai est présumé exister à la date d'achat. Passé ce délai, il appartient au client de prouver que le défaut de conformité existait déjà au moment de la livraison.
2. Si, pendant la période de garantie, le produit est défectueux en utilisation normale, l'acheteur doit contacter l'établissement de vente et envoyer l'appareil à l'endroit indiqué par le vendeur.
3. La garantie n'est valable que sur présentation de la facture prouvant l'achat et du certificat de garantie complété (indiquant la date d'achat, le nom du revendeur, la référence du modèle, et il est également recommandé d'indiquer le numéro de série et le numéro de lot).
4. L'importateur/vendeur se réserve le droit de refuser l'assistance de garantie dans le cas où ces informations ont été supprimées ou modifiées après l'achat initial du produit.
5. La responsabilité de l'importateur/vendeur comprend, entre autres, les frais de réparation et/ou de remplacement de l'unité couverte par la garantie avec la réserve du droit de la remplacer par un produit équivalent, lorsqu'il n'est pas possible de la réparer.
6. La garantie ne s'applique pas aux problèmes qui ne sont pas directement liés à des défauts de matériau, de conception ou de fabrication.
7. Ce produit est un appareil et est destiné à un usage domestique uniquement. La garantie expirera si le produit est utilisé à des fins professionnelles.
8. La garantie ne couvre pas les dommages causés par une mauvaise utilisation, une mauvaise installation, un déversement, des facteurs externes ou des dommages intentionnels.
9. La garantie ne couvre pas les dommages résultant de chutes, de l'utilisation d'une force excessive, des coups, de l'exposition à des conditions environnementales extrêmes ou de la détérioration causée par l'utilisation normale de pièces en plastique ou de claviers, ainsi que l'utilisation de batteries autres que celles spécifiées dans ce manuel.
10. La garantie ne couvre pas l'installation et la programmation par le concessionnaire. En particulier, aucune réclamation pour l'installation et la programmation gratuite par le revendeur ne peut être acceptée.
11. La garantie ne couvre pas les défauts qui nuisent de manière insignifiante au fonctionnement de l'appareil. Les autres frais, tels que l'installation, le transport et le déplacement du technicien sont expressément exclus de la garantie.
12. L'applicabilité de la garantie suppose que l'appareil soit envoyé à l'établissement du vendeur ou à l'endroit indiqué par celui-ci, complet et dans un emballage bien protégé (si possible dans son emballage d'origine) et accompagné de la feuille ou de la carte de garantie respective, dûment rempli et d'une preuve d'achat.
13. Si, après vérification, il s'avère qu'il n'y a aucune raison pour la réclamation, ou que le produit n'est pas défectueux, les coûts inhérents seront imputés au client, et le revendeur est autorisé à facturer ces coûts au client.
14. La garantie sera annulée lorsqu'elle montre des signes qu'une personne non autorisée a tenté d'effectuer des réparations, des modifications ou le remplacement de pièces sur l'appareil.
15. Les réparations effectuées après la fin de la période de garantie sont soumises à des frais.
16. Cette garantie n'affecte pas vos droits légaux que vous pouvez avoir en tant que consommateur en vertu de la législation nationale applicable régissant l'achat de produits lorsque le produit est vendu.
17. **Période de garantie :**

**Pays de l'Union Européenne** - Les directives européennes (UE) 2019/771 et (UE) 2019/770 s'appliquent à certains aspects des contrats d'achat et de vente de biens meubles et transposées dans les législations nationales de leurs pays.

**Autres pays** - la législation nationale sur les droits des consommateurs dans leur pays s'applique. En l'absence de législation officielle, la garantie est appliquée à la discrétion de l'importateur qui met le produit sur le marché ou de l'établissement du vendeur.

# Deutsch

## Sehr geehrter Kunde

Vielen Dank, dass Sie sich für ein Produkt von HÆGER entschieden haben.

Die HÆGER-Produkte wurden mit Rücksicht auf das Wohl des Verbrauchers hergestellt, wobei höchste Ansprüche an Qualität, Funktionalität und Einsatz gestellt wurden. Wir sind sicher, dass Sie mit diesem Gerät zufrieden sein werden.

Wir gehen davon aus, dass der Benutzer mit den üblichen Verfahren im Umgang mit Haushaltsgeräten vertraut ist.

Lesen Sie vor der ersten Benutzung des Gerätes diese Bedienungsanleitung und die Sicherheitshinweise sorgfältig und gründlich durch und machen Sie sich mit dem Gerät vollständig vertraut. Bewahren Sie diese Anleitung zum späteren Nachschlagen auf und geben Sie sie an alle Personen weiter, die das Gerät zu einem späteren Zeitpunkt erwerben könnten.

## Wichtige Sicherheitsanweisungen

**Bitte bewahren Sie diese Bedienungsanleitung zusammen mit der Garantiekarte, dem Kaufbeleg und dem Karton zum späteren Nachschlagen an einem sicheren Ort auf. Die hierin enthaltenen Sicherheitsvorkehrungen verringern bei korrekter Beachtung die Brand-, Stromschlag- und Verletzungsfahr.**

- Die Eingangsspannung dieses Produkts beträgt 220-240 V~, 50-60 Hz. Stellen Sie vor dem Einschalten sicher, dass die elektrische Spannung und Frequenz des Stromkreises mit den Angaben auf dem Gerät übereinstimmen.
- Stellen Sie das Gerät nicht auf Fensterbänke, Abtropfflächen, instabile Oberflächen, auf Elektro- oder Gasherde oder in deren Nähe. Stellen Sie das Gerät nur auf eine stabile, ebene und trockene Oberfläche.
- Verwenden Sie das Gerät nicht in der Nähe von brennbaren Materialien wie Vorhängen, Küchentüchern usw.



**Die Oberfläche kann während des Gebrauchs heiß werden.**

- Wenn das Gerät in Betrieb ist, kann die Temperatur zugänglicher Oberflächen höher sein. Berühren Sie die heiße Oberfläche nicht, da dies sonst zu Verbrennungen führen kann.
- Ein Brand kann entstehen, wenn das Gerät während des Betriebs abgedeckt wird oder brennbares Material berührt, einschließlich Gardinen, Wände und dergleichen. Lagern Sie während des Betriebs keine Gegenstände auf dem Gerät.

- Schalten Sie das Gerät immer aus und ziehen Sie den Stecker aus der Steckdose, wenn Sie es unbeaufsichtigt lassen oder nicht benutzen. Lassen Sie das Gerät abkühlen, bevor Sie es bewegen oder reinigen.
- Tauchen Sie das Gerät zum Schutz vor Stromschlägen nicht in Wasser oder andere Flüssigkeiten.
- Stellen Sie keine schweren Gegenstände auf das Netzkabel. Stellen Sie sicher, dass das Netzkabel nicht über eine Tischkante hängt oder eine heiße Oberfläche berührt.
- Der Netzstecker muss aus der Steckdose gezogen werden, bevor das Gerät gereinigt, gewartet, gewartet oder bewegt wird. Wenn es nicht verwendet wird, ziehen Sie es ab.
- Trennen Sie das Gerät von der Steckdose, indem Sie vorsichtig am Stecker des Netzkabels ziehen und nicht am Netzkabel selbst. Andernfalls könnten das Netzkabel oder die Steckdose beschädigt werden.
- Das Gerät enthält keine vom Benutzer zu wartenden Teile. Versuchen Sie nicht, das Gerät zu reparieren, zu zerlegen oder zu modifizieren.
- Falls das Netzkabel beschädigt ist, muss es durch ein Original-Netzkabel ersetzt werden, das bei einem autorisierten Kundendienst erhältlich ist. Es ist verboten, das Gerät zu benutzen, wenn es ein beschädigtes Netzkabel hat.
- Um die Verletzungsgefahr durch Stromschlag zu vermeiden, reparieren Sie das Gerät nicht selbst und nehmen Sie keine Einstellungen daran vor. Alle Reparaturen müssen in einem autorisierten Servicezentrum durchgeführt werden. Durch Manipulationen am Gerät riskieren Sie, Ihre gesetzlichen Rechte aufgrund einer unbefriedigenden Leistung oder Qualitätsgarantie aufzuheben.
- Unsachgemäße Installation kann zu Feuer, elektrischem Schlag und/oder Verletzungen von Personen führen.
- Der Hersteller/Inverkehrbringer haftet nicht für eventuelle Schäden, die durch unsachgemäßen oder fehlerhaften Gebrauch entstehen.

## Vorsicht!



**Verwenden Sie das Gerät nicht in der Nähe von Duschen, Badewannen, Waschbecken, Schwimmbecken usw.**



**Decken Sie das Gerät nicht ab, während es in Betrieb ist, um eine Überhitzung mit Brandgefahr zu vermeiden.**



**WARNUNG:** Verwenden Sie das Gerät nicht mit einem Programmiergerät, einer Zeitschaltuhr, einem separaten Fernbedienungssystem oder einem anderen Gerät, das die Heizung automatisch einschaltet, da Brandgefahr besteht, wenn die Heizung abgedeckt oder nicht richtig positioniert ist.



**WARNUNG:** Dieses Heizgerät ist nicht mit einem Gerät zur Regelung der Raumtemperatur ausgestattet. Verwenden Sie dieses Heizgerät nicht in kleinen Räumen, wenn diese von Personen bewohnt werden, die den Raum nicht alleine verlassen können, es sei denn, es wird eine ständige Beaufsichtigung gewährleistet.

- **Eine strenge Überwachung ist erforderlich, wenn ein Gerät von oder in der Nähe von Kindern verwendet wird. Kinder sollten beaufsichtigt werden, um sicherzustellen, dass sie nicht mit dem Gerät spielen.**
- **Dieses Gerät darf nicht von Kindern im Alter von 0 bis 8 Jahren verwendet werden. Dieses Gerät kann von Kindern ab 8 Jahren und Personen mit eingeschränkten körperlichen, sensorischen oder geistigen Fähigkeiten oder Mangel an Erfahrung und Wissen verwendet werden, wenn sie beaufsichtigt oder bezüglich der sicheren Verwendung des Geräts unterwiesen wurden und die Gefahren verstehen beteiligt. Kinder dürfen nicht mit dem Gerät spielen. Bewahren Sie das Gerät und sein Kabel außerhalb der Reichweite von Kindern unter 8 Jahren auf.**
- **Reinigung und Benutzerwartung dürfen nicht von Kindern durchgeführt werden, es sei denn, sie sind älter als 8 Jahre und werden beaufsichtigt.**
- **Kinder unter 3 Jahren sollten ferngehalten werden, es sei denn, sie werden ständig beaufsichtigt.**
- **Kinder im Alter von 3 Jahren und unter 8 Jahren dürfen das Gerät nur ein-/ausschalten, wenn es in seiner vorgesehenen normalen Betriebsposition aufgestellt oder installiert wurde und sie beaufsichtigt oder bezüglich der sicheren Verwendung des Geräts unterwiesen wurden und die damit verbundenen Gefahren verstehen. Kinder im Alter von 3 Jahren und unter 8 Jahren dürfen das Gerät nicht**

anschließen, regulieren und reinigen oder Benutzerwartungen durchführen.

- **VORSICHT** — Einige Teile dieses Produkts können sehr heiß werden und Verbrennungen verursachen. Wo Kinder und schutzbedürftige Personen anwesend sind, muss besondere Aufmerksamkeit geschenkt werden.



## Vorsicht!

Dieses Heizgerät ist mit einer genauen Menge Spezial öl gefüllt. Reparaturen, die das Öffnen des Ölbehälters erfordern, dürfen nur vom Hersteller oder seinem Kundendienst durchgeführt werden, der kontaktiert werden sollte, wenn Öl austritt. Bei der Verschrottung des Gerätes sind die Vorschriften zur Entsorgung des Öls zu beachten.

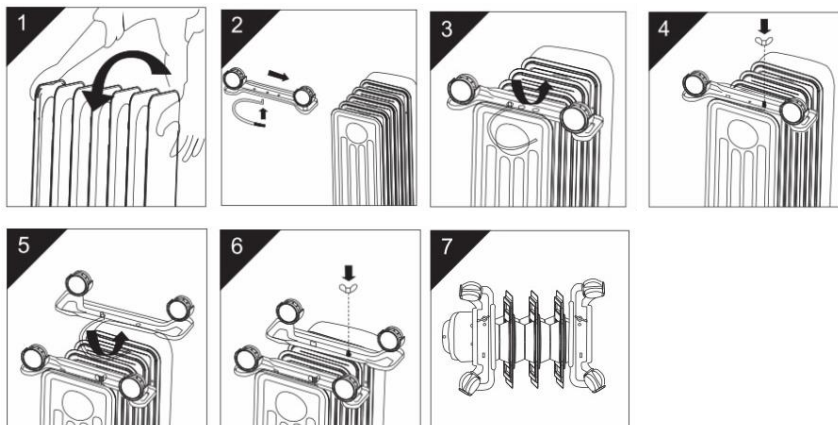
## Beschreibung des Geräts

1 – Griff	2 – Kontrolllampe
3 – Thermostatsteuerung	4 – Leistungsschalter
5 – Ölgefüllte Flossen	6 – Kabelaufbewahrung
7 – Räder	8 – Unterstützung der Räder

## Montage

Nehmen Sie das Heizgerät und alle Zubehörteile aus dem Karton.

1. Drehen Sie den Heizkörper um.
2. Bringen Sie die Radbaugruppen am Kühler an, indem Sie die U-förmigen Schrauben zwischen den äußersten Rippen auf jeder Seite des Kühlers platzieren.
3. Bitte passen Sie die Radstände wie auf dem Bild an. Eine andere Position kann die Stabilität des Heizkörpers beeinträchtigen.
4. Befestigen Sie die Radbaugruppen sicher am Kühler, indem Sie die Flügelmuttern auf die Bolzen schrauben.
5. Drehen Sie den Heizkörper nach rechts oben.
6. **WARNUNG:** Betreiben Sie den Heizkörper nur in normaler aufrechter Position mit an der Unterseite befestigten Rädern (Räder unten, Bedienelemente oben), jede andere Position könnte eine gefährliche Situation schaffen.



## Wo das Gerät aufgestellt werden soll

- Positionieren Sie den Heizkörper mindestens 90 cm entfernt von der Wand und anderen Gegenständen wie Möbeln, Vorhängen oder Pflanzen auf dem Boden und unter dem kältesten Fenster im Raum oder wo immer Sie möchten.
- Der Heizkörper reduziert die Auswirkungen kalter Zugluft auf ein Minimum.
- Das Gerät darf nicht direkt unter einer festen Steckdose aufgestellt werden.
- Verwenden Sie das Gerät nicht in Räumen mit einer Fläche von weniger als 4 m<sup>2</sup>.

## Verbindung

- Der Strahler muss an eine einwandfrei funktionierende 220-240 V~ Steckdose angeschlossen werden.
- Vermeiden Sie den Kontakt zwischen Kleidung, Haushaltswäsche, Möbeln, brennbaren Materialien und der Steckdose, die den Heizkörper mit Strom versorgt.

## Wie zu bedienen

1. Die Raumtemperatur kann mit dem Thermostat eingestellt werden. Drehen Sie einfach den Thermostatknopf im Uhrzeigersinn, um die Hitze zu erhöhen, und gegen den Uhrzeigersinn, um die Temperatur zu verringern, bis Sie die gewünschte Temperatur erreicht haben.
2. Drehen Sie den Netzschalter von „0“ entweder auf „●“ (minimale Erwärmung) oder „●●“ (mittlere Erwärmung) oder „●●●“ (maximale Erwärmung).
3. Der Pilot leuchtet auf, wenn er aktiviert ist.
4. Durch Drehen des Thermostatreglers im Uhrzeigersinn wird die eingestellte Temperatur erhöht.
5. Durch Drehen des Thermostats gegen den Uhrzeigersinn wird die „eingestellte“ Temperatur verringert.
6. Decken Sie das Heizgerät zu keinem Zeitpunkt während des Betriebs ab. Bei abgedeckter Heizung besteht Brandgefahr.

7. Wenn Sie mit der Benutzung Ihres Heizgeräts fertig sind, schalten Sie die Netzschalter aus und den Thermostat-Steuerschalter auf die Position „0“ und ziehen Sie den Stecker aus der Steckdose.

**WICHTIG:** Während des Gebrauchs sollte der Strahler immer senkrecht gehalten werden (Räder unten, Bedienelemente oben). Jede andere Position könnte gefährlich sein!

### **Kippschutz**

Diese Heizung ist mit einem Sicherheitsschalter geschützt, der das Gerät automatisch ausschaltet, wenn die Heizung umfällt oder sich in einem übermäßigen Winkel von der Horizontalen befindet. Dies hilft, Unfälle zu vermeiden, und das Heizgerät nimmt den Betrieb wieder auf, wenn es wieder aufrecht gestellt wird.

### **Überhitzungsschutz**

Diese Heizung ist mit einem Überhitzungsschutz geschützt, der das Gerät bei starker Überhitzung automatisch abschaltet. Ziehen Sie in diesem Fall das Gerät aus der Steckdose, warten Sie etwa 30 Minuten, bis es abgekühlt ist, und beseitigen Sie alle möglichen Ursachen für Überhitzung, z. B. etwas, das die Heizung abdeckt. Überprüfen Sie das Gerät, das Kabel und den Stecker auf Beschädigungen. Wenn keine Schäden vorhanden sind, schließen Sie das Gerät wieder an und schalten Sie es wie oben beschrieben ein. Wenn sich die Heizung immer noch nicht einschaltet, wenden Sie sich bitte an den Kundendienst.

## **Wartung und Reinigung**

1. Ziehen Sie immer den Stecker aus der Steckdose und lassen Sie das Heizgerät abkühlen, bevor Sie es reinigen.
2. Wischen Sie die Außenfläche des Heizgeräts gelegentlich mit einem weichen, feuchten Tuch (nicht tropfnass) ab und trocknen Sie die Außenfläche, bevor Sie das Heizgerät in Betrieb nehmen.

### **WARNUNG:**

**Tauchen Sie das Heizgerät nicht in Wasser.**

**Verwenden Sie keine Reinigungschemikalien wie Reinigungs- und Scheuermittel.**

**Lassen Sie den Innenraum nicht nass werden, da dies eine Gefahr darstellen könnte.**

## **Lagern Sie Ihre ölfüllte Heizung**

1. Bewahren Sie die Box für die Aufbewahrung außerhalb der Saison auf.
2. Reinigen Sie das Heizgerät gemäß den obigen Reinigungsanweisungen.
3. Entfernen Sie die Radbasisbaugruppen.
4. Legen Sie die Heizung und die Radbaugruppen in die Originalverpackung und lagern Sie sie an einem kühlen und trockenen Ort.
5. Wenn Sie Ihr Heizgerät vollständig zusammengebaut lagern möchten, decken Sie es unbedingt ab, um es vor Staub zu schützen.



## Technische Daten

	OH-009.006A / OH-011.007A
Nennspannung	230V~
Nenneingangsfrequenz	50Hz
Anzahl Heizstufen	3
Nennleistung	2000W / 2500 kW
Produkttyp	Tragbar
Thermostattyp	Mechanisch
Schutzklasse	Klasse I

## Konformität CE

Dieses Produkt wurde nach allen relevanten aktuellen CE-Richtlinien geprüft und produziert, wie z. B.:



- Elektromagnetische Verträglichkeit Richtlinie 2014/30/EU,
- Niederspannungsrichtlinie (LVD) Richtlinie 2014/35/EU,
- RoHS mit ihren Änderungen Richtlinie EU 2015/863,

und ist nach den neuesten Sicherheitsvorschriften gebaut.

Das CE-Zeichen attestiert diesem Produkt alle relevanten Richtlinien.

## Entsorgung – Umweltpolitik

### Verpackung



Das Verpackungsmaterial ist vollständig recycelbar und mit dem Recycling-Symbol gekennzeichnet. Befolgen Sie die örtlichen Vorschriften für die Verschrottung. Bewahren Sie Verpackungsmaterialien (Plastiktüten, Styroporsteile usw.) außerhalb der Reichweite von Kindern auf, da sie potenziell gefährlich sind.

### Verfügung

Dieses Gerät ist gemäß der europäischen Richtlinie 2012/19/EU über Elektro- und Elektronik-Altgeräte (WEEE) gekennzeichnet.

Indem Sie sicherstellen, dass dieses Produkt ordnungsgemäß entsorgt wird, tragen Sie dazu bei, mögliche negative Folgen für die Umwelt und die menschliche Gesundheit zu vermeiden, die andernfalls durch eine unsachgemäße Entsorgung dieses Produkts verursacht werden könnten.



Dieses Symbol auf dem Produkt oder den dem Produkt beiliegenden Dokumenten weist darauf hin, dass dieses Gerät nicht als Hausmüll behandelt werden darf. Stattdessen ist es an der zuständigen Sammelstelle für das Recycling von Elektro- und Elektronikgeräten abzugeben.

Die Entsorgung muss gemäß den örtlichen Umweltvorschriften zur Abfallentsorgung erfolgen. Ausführlichere Informationen zur Behandlung, Rückgewinnung und Wiederverwertung dieses Produkts erhalten Sie bei Ihrer örtlichen Stadtverwaltung, Ihrem Entsorgungsdienst für Haushaltsabfälle oder dem Geschäft, in dem Sie das Produkt gekauft haben.

## Garantiebedingungen

1. Das Produkt ist für den Zeitraum, der von den Gesetzen festgelegt ist, in denen es auf den Markt gebracht wird, ab dem Kaufdatum, gegen Herstellungs- und/oder Verarbeitungsfehler garantiert. Es wird vermutet, dass die in diesem Zeitraum festgestellte Vertragswidrigkeit zum Zeitpunkt des Kaufs bestand. Nach Ablauf dieser Frist obliegt es dem Kunden zu beweisen, dass die Vertragswidrigkeit bereits zum Zeitpunkt der Lieferung bestanden hat.
2. Wenn das Produkt während der Garantiezeit bei normalem Gebrauch defekt ist, sollte sich der Käufer an die Verkaufsstelle wenden und das Gerät an den vom Verkäufer angegebenen Ort senden.
3. Die Garantie gilt nur bei Vorlage der Kaufrechnung und des ausgefüllten Garantiescheins (mit Angabe des Kaufdatums, des Namens des Händlers, der Referenz des Modells, und es wird empfohlen, auch die Seriennummer anzugeben und Chargennummer).
4. Der Importeur/Verkäufer behält sich das Recht vor, Garantieleistungen abzulehnen, falls solche Informationen nach dem ursprünglichen Kauf des Produkts gelöscht oder geändert wurden.
5. Die Verantwortung des Importeurs/Verkäufers umfasst insbesondere die Kosten für die Reparatur und/oder den Ersatz des von der Garantie abgedeckten Geräts mit dem Vorbehalt des Rechts, es durch ein gleichwertiges Produkt zu ersetzen, falls eine Reparatur nicht möglich ist.
6. Die Garantie gilt nicht für Probleme, die nicht direkt mit Material-, Konstruktions- oder Verarbeitungsfehlern zusammenhängen.
7. Dieses Produkt ist ein Gerät und nur für den Heimgebrauch bestimmt. Die Garantie erlischt, wenn das Produkt für professionelle Zwecke verwendet wird.
8. Die Garantie deckt keine Schäden ab, die durch Missbrauch, unsachgemäße Installation, Verschütten, externe Faktoren oder vorsätzliche Beschädigung verursacht wurden.
9. Die Garantie erstreckt sich nicht auf Schäden, die durch Stürze, übermäßige Gewaltanwendung, Schläge, Einwirkung extremer Umweltbedingungen oder Verschlechterung durch den normalen Gebrauch von Kunststoffteilen oder Tastaturen sowie durch die Verwendung von anderen als den hier angegebenen Batterien verursacht wurden Handbuch.
10. Die Garantie erstreckt sich nicht auf die Installation und Programmierung durch den Händler. Insbesondere besteht kein Anspruch auf Installation und kostenlose Programmierung durch den Wiederverkäufer.
11. Die Gewährleistung erstreckt sich nicht auf Mängel, die den Betrieb des Gerätes unerheblich beeinträchtigen. Andere Kosten wie Installation, Transport und Reisen des Technikers sind ausdrücklich von der Gewährleistung ausgeschlossen.
12. Die Anwendbarkeit der Garantie setzt voraus, dass das Gerät vollständig und in gut geschützter Verpackung (möglichst in der Originalverpackung) und zusammen mit dem ordnungsgemäß ausgefüllten Beiblatt oder der Garantiekarte an den Verkäufer oder den von ihm angegebenen Ort gesendet wird Kaufbeleg.
13. Wenn nach Überprüfung festgestellt wird, dass es keinen Grund für die Reklamation gibt oder dass das Produkt nicht defekt ist, werden die damit verbundenen Kosten dem Kunden zugerechnet, und der Händler ist berechtigt, diese Kosten dem Kunden in Rechnung zu stellen.
14. Die Garantie erlischt, wenn es Anzeichen dafür gibt, dass eine nicht autorisierte Person versucht hat, Reparaturen, Änderungen oder den Austausch von Teilen am Gerät vorzunehmen.
15. Reparaturen nach Ablauf der Gewährleistungsfrist sind kostenpflichtig.
16. Diese Garantie berührt nicht Ihre gesetzlichen Rechte, die Sie möglicherweise als Verbraucher nach geltendem nationalem Recht haben, das den Kauf von Produkten regelt, wenn das Produkt verkauft wird.
17. **Gewährleistungsfrist:**

**Länder der Europäischen Union** - Die europäischen Richtlinien (EU) 2019/771 und (EU) 2019/770 gelten für bestimmte Aspekte von Verträgen über den Kauf und Verkauf von beweglichen Sachen und werden in die nationalen Gesetze ihrer Länder umgesetzt.

**Andere Länder** – Es gelten die nationalen Verbraucherrechte in ihrem Land. Wenn keine offizielle Gesetzgebung vorliegt, wird die Garantie nach Ermessen des Importeurs, der das Produkt auf den Markt bringt, oder der Niederlassung des Verkäufers angewendet.

# Ελληνικά

## Αγαπητέ πελάτη

Σας ευχαριστούμε που επιλέξατε ένα προϊόν HÆGER.

Τα προϊόντα HÆGER έχουν δημιουργηθεί για να σκέφτονται την ευημερία του καταναλωτή που προτιμούν υψηλά πρότυπα ποιότητας, λειτουργικότητας και ανάρθεσης. Είμαστε σίγουροι ότι θα είστε ευχαριστημένοι με αυτήν τη συσκευή.

Υποθέτουμε ότι ο χρήστης είναι εξοικειωμένος με τις συνήθεις διαδικασίες χειρισμού οικιακών συσκευών.

Πριν χρησιμοποιήσετε τη συσκευή για πρώτη φορά, διαβάστε προσεκτικά και διεξοδικά αυτές τις οδηγίες λειτουργίας και τις συμβουλές ασφαλείας, εξοικειώνοντας πλήρως τη συσκευή. Κρατήστε αυτές τις οδηγίες για μελλοντική αναφορά και διαβιβάστε τις σε όποιον μπορεί να χρησιμοποιήσει τη συσκευή σε μελλοντική ημερομηνία.

## Σημαντικές οδηγίες ασφαλείας

**Φυλάξτε αυτό το εγχειρίδιο οδηγιών σε ασφαλές μέρος, μαζί με την κάρτα εγγύησης, την απόδειξη αγοράς και το κουτί για μελλοντική χρήση. Οι προφυλάξεις ασφαλείας που περιλαμβάνονται εδώ μειώνουν τον κίνδυνο πυρκαγιάς, ηλεκτροπληξίας και τραυματισμού όταν τηρούνται σωστά.**

- Η τάση εισόδου αυτού του προϊόντος είναι 230V~, 50Hz. Πριν από την ενεργοποίηση, βεβαιωθείτε ότι η ηλεκτρική τάση και η συχνότητα του κυκλώματος αντιστοιχούν σε αυτές που υποδεικνύονται στη συσκευή.
- Μην τοποθετείτε τη συσκευή σε περβάζια παραθύρων, σανίδες αποστράγγισης νεροχύτη, ασταθείς επιφάνειες, σε ηλεκτρικές σόμπες ή εστίες αερίου ή κοντά τους. Τοποθετήστε τη συσκευή μόνο σε σταθερή, επίπεδη, στεγνή επιφάνεια.
- Μην χρησιμοποιείτε τη συσκευή κοντά σε εύφλεκτα υλικά όπως κουρτίνες, πετσέτες κουζίνας κ.λπ.



**Η επιφάνεια ενδέχεται να θερμανθεί κατά τη χρήση.**

- Όταν η συσκευή βρίσκεται σε λειτουργία, η θερμοκρασία των προσβάσιμων επιφανειών μπορεί να είναι υψηλότερη. Μην αγγίζετε την καυτή επιφάνεια, διαφορετικά, αυτό μπορεί να προκαλέσει εγκαύματα.
- Ενδέχεται να προκληθεί πυρκαγιά εάν η συσκευή είναι καλυμμένη ή αγγίξει εύφλεκτα υλικά, συμπεριλαμβανομένων κουρτινών, τοίχων και παρόμοιων, όταν βρίσκεται σε λειτουργία. Μην αποθηκεύετε αντικείμενα πάνω από τη συσκευή κατά τη λειτουργία.
- Απενεργοποιείτε πάντα τη συσκευή και βγάζετε το φις από την πρίζα όταν την αφήνετε χωρίς επίβλεψη ή όταν δεν τη χρησιμοποιείτε. Αφήστε τη συσκευή να κρυώσει πριν τη μετακινήσετε ή την καθαρίσετε.
- Για προστασία από ηλεκτροπληξία, μην βυθίζετε τη συσκευή σε νερό ή σε οποιοδήποτε άλλο υγρό.
- Μην τοποθετείτε βαριά αντικείμενα στο καλώδιο ρεύματος. Βεβαιωθείτε ότι το καλώδιο τροφοδοσίας δεν κρέμεται πάνω από την άκρη ενός τραπεζιού ή ότι δεν

αγγίζει μια καυτή επιφάνεια.

- Το βύσμα ρεύματος πρέπει να αφαιρεθεί από την πρίζα πριν από τον καθαρισμό, το σέρβις, τη συντήρηση ή τη μετακίνηση της συσκευής. Όταν δεν χρησιμοποιείται, αποσυνδέστε το.
- Αποσυνδέστε τη συσκευή από την πρίζα τραβώντας απαλά το φις του καλώδιου τροφοδοσίας και όχι το ίδιο το καλώδιο ρεύματος, διαφορετικά μπορεί να προκληθεί ζημιά στο καλώδιο ρεύματος ή στην πρίζα.
- Η μονάδα δεν περιέχει εξαρτήματα που μπορούν να επισκευαστούν από το χρήστη. Μην επιχειρήσετε να επισκευάσετε, να αποσυναρμολογήσετε ή να τροποποιήσετε τη συσκευή.
- Σε περίπτωση που το καλώδιο τροφοδοσίας είναι κατεστραμμένο, πρέπει να αντικατασταθεί με ένα γνήσιο καλώδιο ρεύματος που διατίθεται σε εξουσιοδοτημένο κέντρο σέρβις. Απαγορεύεται η χρήση της συσκευής εάν έχει φθαρμένο καλώδιο ρεύματος.
- Για να αποφύγετε τον κίνδυνο τραυματισμού από ηλεκτροπληξία, μην επισκευάζετε μόνοι σας τη συσκευή και μην κάνετε καμία προσαρμογή σε αυτήν. Όλες οι επισκευές πρέπει να εκτελούνται σε εξουσιοδοτημένο κέντρο σέρβις. Παραβιάζοντας τη συσκευή, κινδυνεύετε να ακυρώσετε τα νόμιμα δικαιώματά σας που προκύπτουν από μη ικανοποιητική απόδοση ή εγγύηση ποιότητας.
- Η ακατάλληλη εγκατάσταση μπορεί να οδηγήσει σε κίνδυνο πυρκαγιάς, ηλεκτροπληξίας ή τραυματισμού ατόμων.
- Ο κατασκευαστής/διανομέας δεν ευθύνεται για τυχόν ζημιές που προκαλούνται από ακατάλληλη ή εσφαλμένη χρήση.

## Προσοχή!



**Μη χρησιμοποιείτε τη συσκευή κοντά σε ντους, μπανιέρες, νιπτήρες, πισίνες κ.λπ.**



**Μην καλύπτετε τη συσκευή ενώ λειτουργεί για να αποφύγετε την υπερθέρμανση με τον συνακόλουθο κίνδυνο πυρκαγιάς.**



**Προσοχή:** Αυτή η συσκευή δεν είναι σχεδιασμένη να ελέγχεται με προγραμματισμένη συσκευή, εξωτερικό διακόπτη χρονοδιακόπτη ή τηλεχειριστήριο.



**ΠΡΟΕΙΔΟΠΟΙΗΣΗ:** Αυτός ο θερμαντήρας δεν είναι εξοπλισμένος με συσκευή ελέγχου της θερμοκρασίας δωματίου. Μη χρησιμοποιείτε αυτή τη θερμάστρα σε μικρούς χώρους όταν κατοικούνται από άτομα που δεν μπορούν να φύγουν μόνο τους από το δωμάτιο, εκτός εάν παρέχεται συνεχής επίβλεψη.

- Απαιτείται στενή επίβλεψη όταν οποιαδήποτε συσκευή χρησιμοποιείται από ή κοντά σε παιδιά. Τα παιδιά θα πρέπει να επιβλέπονται ώστε να διασφαλίζεται ότι δεν παίζουν με τη συσκευή.
- Αυτή η συσκευή δεν πρέπει να χρησιμοποιείται από παιδιά από 0 έως 8 ετών. Αυτή η συσκευή μπορεί να χρησιμοποιηθεί από παιδιά ηλικίας από 8 ετών και άνω και άτομα με μειωμένες σωματικές, αισθητηριακές ή διανοητικές ικανότητες ή έλλειψη εμπειρίας και γνώσης, εάν τους έχουν δοθεί οδηγίες σχετικά με τη χρήση της συσκευής με ασφαλή τρόπο. και να κατανοήσουν τους κινδύνους που εμπεριέχονται. Τα παιδιά δεν πρέπει να παίζουν με τη συσκευή. Κρατήστε τη συσκευή και το καλώδιο της μακριά από παιδιά ηλικίας κάτω των 8 ετών.
- Ο καθαρισμός και η συντήρηση από τον χρήστη δεν πρέπει να γίνονται από παιδιά κάτω των 8 ετών και υπό επίβλεψη.
- Παιδιά κάτω των 3 ετών θα πρέπει να μένουν μακριά εκτός εάν υπόκεινται σε συνεχή επίβλεψη.
- Παιδιά ηλικίας από 3 ετών και κάτω των 8 ετών θα πρέπει να ενεργοποιούν/απενεργοποιούν τη συσκευή μόνο υπό την προϋπόθεση ότι έχει τοποθετηθεί ή εγκατασταθεί στην προβλεπόμενη κανονική θέση λειτουργίας της και έχουν λάβει επίβλεψη ή οδηγίες σχετικά με τη χρήση της συσκευής με ασφαλή τρόπο και να κατανοήσουν τους κινδύνους που εμπεριέχονται. Τα παιδιά ηλικίας από 3 ετών και κάτω των 8 ετών δεν πρέπει να συνδέουν, να ρυθμίζουν και να καθαρίζουν τη συσκευή ή να πραγματοποιούν συντήρηση από τον χρήστη.
- ΠΡΟΣΟΧΗ — Ορισμένα μέρη αυτού του προϊόντος μπορεί να ζεσταθούν πολύ και να προκαλέσουν εγκαύματα. Ιδιαίτερη προσοχή πρέπει να δοθεί όπου υπάρχουν παιδιά και ευάλωτα άτομα.



## Προσοχή!

Αυτός ο θερμαντήρας είναι γεμάτος με ακριβή ποσότητα ειδικού λαδιού. Οι επισκευές που απαιτούν άνοιγμα του δοχείου λαδιού πρέπει να γίνονται μόνο από τον κατασκευαστή ή τον αντιπρόσωπο σέρβις του, με τον οποίο θα πρέπει να επικοινωνήσετε εάν υπάρχει διαρροή λαδιού. Πρέπει να τηρούνται οι κανονισμοί σχετικά με την απόρριψη του λαδιού κατά την απόρριψη της συσκευής.

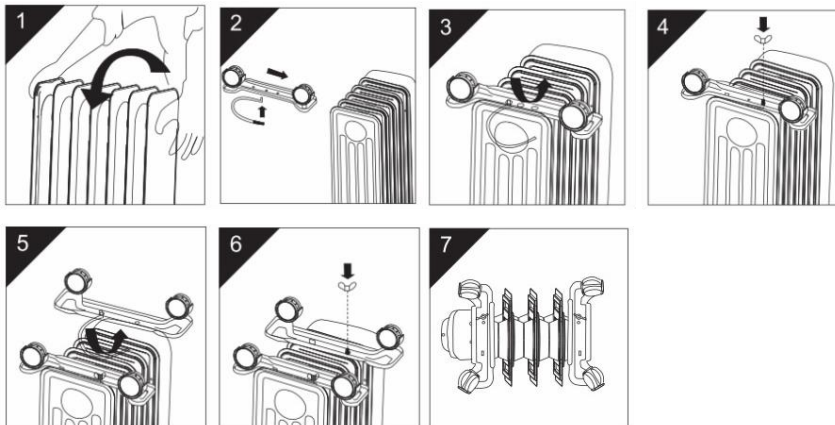
## Περιγραφή της συσκευής

1 - Λαβή	2 - Λάμπα πιλότου
3 - Έλεγχος θερμοστάτη	4 - Διακόπτης ρυθμίσεων ισχύος
5 - Πτερύγια γεμάτα λάδι	6 - Αποθήκευση καλωδίου
7 - Τροχοί	8 - Στήριγμα τροχών

## Συνέλευση

Αφαιρέστε τη θερμάστρα και όλα τα εξαρτήματα από το χαρτοκιβώτιο.

1. Γυρίστε τη θερμάστρα ανάποδα.
2. Τοποθετήστε τα συγκροτήματα τροχών στο θερμαντήρα τοποθετώντας τα μπουλόνια σχήματος U ανάμεσα στα εξωτερικά πτερύγια σε κάθε πλευρά του ψυγείου.
3. Τοποθετήστε τη βάση των τροχών όπως στην εικόνα. Άλλη θέση μπορεί να επηρεάσει τη σταθερότητα του θερμαντήρα.
4. Στερεώστε με ασφάλεια τα συγκροτήματα των τροχών στο ψυγείο βιδώνοντας τα παξιμάδια των φτερών στα μπουλόνια.
5. Γυρίστε τη θερμάστρα προς τα δεξιά.
6. **ΠΡΟΕΙΔΟΠΟΙΗΣΗ:** Λειτουργήστε τη θερμάστρα μόνο σε κανονική όρθια θέση με συγκροτήματα τροχών συνδεδεμένα στο κάτω μέρος (τροχοί στο κάτω μέρος, χειριστήρια στο επάνω μέρος), οποιαδήποτε άλλη θέση μπορεί να δημιουργήσει επικίνδυνη κατάσταση.



## Πού να εντοπίσετε τη συσκευή

- Τοποθετήστε το ψυγείο στο δάπεδο τουλάχιστον 90 cm μακριά από τον τοίχο και οποιαδήποτε άλλα αντικείμενα όπως έπιπλα, κουρτίνες ή φυτά και κάτω από το πιο κρύο παράθυρο του δωματίου ή όπου αλλού θέλετε.
- Ο θερμαντήρας θα μειώσει στο ελάχιστο τις επιπτώσεις των ψυχρών ρευμάτων.
- Η συσκευή δεν πρέπει να τοποθετείται ακριβώς κάτω από σταθερό σημείο ισχύος.
- Μη χρησιμοποιείτε τη συσκευή σε δωμάτια με επιφάνεια μικρότερη από 4 m<sup>2</sup>.

## Σύνδεση

Ο θερμαντήρας πρέπει να συνδεθεί σε μια πρίζα AC 230V~ που λειτουργεί τέλεια. Αποφύγετε την επαφή μεταξύ ρούχων, λευκών ειδών οικιακής χρήσης, επίπλων, εύφλεκτων υλικών και της πρίζας που παρέχει ρεύμα στη θερμάστρα.

## Πώς να Λειτουργήσετε

1. Η θερμοκρασία δωματίου μπορεί να ρυθμιστεί χρησιμοποιώντας τον θερμοστάτη. Απλώς γυρίστε το κουμπί του θερμοστάτη δεξιόστροφα, για να αυξήσετε τη θερμότητα και αριστερόστροφα για να μειώσετε τη θερμοκρασία, μέχρι να φτάσετε στην επιθυμητή θερμοκρασία.
2. Γυρίστε το διακόπτη λειτουργίας από το "0" είτε στο "●" (Ελάχιστη θέρμανση) ή στο "●●" (Μεσαία θέρμανση) ή στο "●●●" (Μέγιστη θέρμανση).
3. Ο πιλότος ανάβει όταν ενεργοποιείται.
4. Περιστρέφοντας δεξιόστροφα τον έλεγχο του θερμοστάτη θα αυξηθεί η «ρυθμισμένη» θερμοκρασία.
5. Περιστρέφοντας τον θερμοστάτη αριστερόστροφα θα μειωθεί η «ρυθμισμένη» θερμοκρασία.
6. Μην καλύπτετε τη θερμάστρα οποιαδήποτε στιγμή κατά τη λειτουργία. Υπάρχει κίνδυνος πυρκαγιάς εάν η θερμάστρα είναι καλυμμένη.
7. Μόλις ολοκληρώσετε τη χρήση του καλοριφέρ, απενεργοποιήστε τους διακόπτες τροφοδοσίας και τον διακόπτη ελέγχου του θερμοστάτη στη θέση «0» και αποσυνδέστε την από την παροχή ρεύματος.

**ΣΗΜΑΝΤΙΚΟ:** Όταν χρησιμοποιείται, ο θερμαντήρας πρέπει να διατηρείται πάντα κατακόρυφος (τροχοί στο κάτω μέρος, χειριστήρια στο πάνω μέρος). Οποιαδήποτε άλλη θέση μπορεί να είναι επικίνδυνη!

### Προστασία από ανατροπή

Αυτή η θερμάστρα προστατεύεται με έναν διακόπτη ασφαλείας που απενεργοποιεί τη συσκευή αυτόματα όταν η θερμάστρα πέσει ή βρίσκεται σε υπερβολική γωνία από την οριζόντια. Αυτό βοηθά στην αποφυγή ατυχημάτων και ο θερμαντήρας θα συνεχίσει να λειτουργεί όταν τοποθετηθεί ξανά σε όρθια θέση.

### Προστασία από υπερθέρμανση

Αυτός ο θερμαντήρας προστατεύεται με προστασία υπερθέρμανσης που απενεργοποιεί τη συσκευή αυτόματα σε περίπτωση σοβαρής υπερθέρμανσης. Σε αυτήν την περίπτωση, αποσυνδέστε τη συσκευή από την πρίζα, περιμένετε περίπου 30 λεπτά για να κρυώσει και αφαιρέστε οποιαδήποτε πιθανή αιτία υπερθέρμανσης, π.χ. κάτι που καλύπτει τη θερμάστρα. Ελέγξτε για ζημιά στη συσκευή, το καλώδιο και το φις. Εάν δεν υπάρχει ζημιά, συνδέστε ξανά τη μονάδα και ενεργοποιήστε την όπως περιγράφεται παραπάνω. Εάν ο θερμαντήρας εξακολουθεί να μην ανάβει, επικοινωνήστε με το τμήμα εξυπηρέτησης πελατών για βοήθεια.

## Συντήρηση και Καθαρισμός

1. Βγάζετε πάντα το φιν από την πρίζα και αφήνετε τη θερμάστρα να κρυώσει πριν την καθαρίσετε.
2. Σκουπίζετε περιστασιακά την εξωτερική επιφάνεια του θερμαντήρα με ένα μαλακό υγρό πανί (δεν στάζει βρεγμένο) και στεγνώνετε την εξωτερική επιφάνεια πριν θέσετε σε λειτουργία τον θερμαντήρα.

### ΠΡΟΕΙΔΟΠΟΙΗΣΗ:

**Μην βυθίζετε τη θερμάστρα σε νερό.**

**Μην χρησιμοποιείτε χημικά καθαριστικά όπως απορρυπαντικά και λειαντικά.**

**Μην αφήνετε το εσωτερικό να βραχεί γιατί αυτό μπορεί να δημιουργήσει κίνδυνο.**

## Εναποθήκευση

1. Φυλάξτε το κουτί για αποθήκευση εκτός εποχής.
2. Καθαρίστε τη θερμάστρα ακολουθώντας τις παραπάνω οδηγίες καθαρισμού.
3. Αφαιρέστε τους τροχούς και τα πόδια στήριξης από το κάτω μέρος.
4. Τοποθετήστε τη θερμάστρα και τα στηρίγματα στο αρχικό κουτί και αποθηκεύστε σε δροσερό και ξηρό μέρος.
5. Εάν επιλέξετε να αποθηκεύσετε τη θερμάστρα σας πλήρως συναρμολογημένη, φροντίστε να την καλύψετε για να την προστατέψετε από τη σκόνη.

## Τεχνικά χαρακτηριστικά:

	OH-009.006A / OH-011.007A
Ονομαστική τάση εισόδου	230V~
Ονομαστική συχνότητα εισόδου	50Hz
Αριθμός σταδίων θέρμανσης	3
Ονομαστική ισχύς	2000W / 2500 W
Τύπος Προϊόντος	Φορητός
Τύπος θερμοστάτη	Μηχανολογικό
Κατηγορία προστασίας	Κατηγορία I



## Δήλωση συμμόρφωσης ΕΕ

Αυτό το προϊόν έχει δοκιμαστεί και παραχθεί σύμφωνα με όλες τις σχετικές τρέχουσες κατευθυντήριες γραμμές CE, όπως:



- οδηγία για την ηλεκτρομαγνητική συμβατότητα 2014/30/ΕΕ,
- Οδηγία για τη χαμηλή τάση (LVD) οδηγία 2014/35/ΕΕ,
- RoHS με τις τροποποιήσεις της οδηγίας 2011/65/ΕΕ και (ΕΕ)2015/863,

και έχει κατασκευαστεί σύμφωνα με τους πιο πρόσφατους κανονισμούς ασφαλείας.

Το σήμα CE πιστοποιεί αυτό το προϊόν με όλες τις σχετικές οδηγίες.

## Διάθεση – Περιβαλλοντική πολιτική

### Συσκευασία



Το υλικό συσκευασίας είναι πλήρως ανακυκλώσιμο και επισημαίνεται με το σύμβολο ανακύκλωσης. Ακολουθήστε τους τοπικούς κανονισμούς για κατάργηση. Κρατήστε τα υλικά συσκευασίας (πλαστικές σακούλες, μέρη πολυστερίνης κ.λπ.) μακριά από παιδιά, καθώς είναι δυνητικά επικίνδυνα.

### Διάθεση

**Η συσκευή αυτή επισημαίνεται σύμφωνα με την ευρωπαϊκή οδηγία 2012/19/ΕΕ για τα απόβλητα ηλεκτρικού και ηλεκτρονικού εξοπλισμού (ΑΗΗΕ).**

Διασφαλίζοντας ότι αυτό το προϊόν απορρίπτεται σωστά, θα βοηθήσετε στην πρόληψη πιθανών αρνητικών συνεπειών για το περιβάλλον και την ανθρώπινη υγεία, οι οποίες διαφορετικά θα μπορούσαν να προκληθούν από ακατάλληλο χειρισμό αποβλήτων αυτού του προϊόντος.



Αυτό το σύμβολο στο προϊόν ή στα έγγραφα που συνοδεύουν το προϊόν, υποδεικνύει ότι αυτή η συσκευή δεν μπορεί να αντιμετωπιστεί ως οικιακά απορρίμματα. Αντίθετα, παραδίδεται στο εφαρμοστέο σημείο συλλογής για την ανακύκλωση ηλεκτρικού και ηλεκτρονικού εξοπλισμού.

Η διάθεση πρέπει να πραγματοποιείται σύμφωνα με τους τοπικούς περιβαλλοντικούς κανονισμούς για τη διάθεση των αποβλήτων. Για περισσότερες πληροφορίες σχετικά με την επεξεργασία, την ανάκτηση και την ανακύκλωση αυτού του προϊόντος, επικοινωνήστε με το τοπικό γραφείο της πόλης, την υπηρεσία διάθεσης οικιακών απορριμμάτων ή το κατάστημα από το οποίο αγοράσατε το προϊόν.

### Επαφή στην Ελλάδα:

#### **ΚΑΡΑ ΕΜΠΟΡΙΟ**

**Καραγιαννοπούλου 32,**

61100 Κιλκίς, Ελλάδα

Email: [info@kapaemporio.gr](mailto:info@kapaemporio.gr)

Τηλ. +302341024654

Fax +302341025735

<https://kapaemporio.gr>

### Όροι και Προϋποθέσεις Εγγύησης

1. Το προϊόν είναι εγγυημένο για την περίοδο που ορίζεται από τη νομοθεσία στην οποία διατίθεται στην αγορά, αρχής γενομένης από την ημερομηνία αγοράς, έναντι κατασκευαστικών ελαττωμάτων ή/και κατασκευής. Η έλλειψη συμμόρφωσης που εκδηλώνεται κατά την περίοδο αυτή τεκμαίρεται ότι υφίσταται κατά την ημερομηνία αγοράς. Μετά από αυτή την περίοδο, εναπόκειται στον πελάτη να αποδείξει ότι η έλλειψη συμμόρφωσης υπήρχε ήδη κατά τη στιγμή της παράδοσης .
2. Εάν, κατά τη διάρκεια της περιόδου εγγύησης, το προϊόν είναι ελαττωματικό σε κανονική χρήση, ο αγοραστής θα πρέπει να επικοινωνήσει με την εγκατάσταση πώλησης και να στείλει τη συσκευή στον τόπο που υποδεικνύεται από τον πωλητή.
3. Η εγγύηση ισχύει μόνο με την προσκόμιση του τιμολογίου που αποδεικνύει την αγορά και το συμπληρωμένο πιστοποιητικό εγγύησης (αναφέροντας την ημερομηνία αγοράς, το όνομα του εμπόρου, την αναφορά του μοντέλου και συνιστάται επίσης να αναφέρετε τον σειριακό αριθμό και τον αριθμό παρτίδας).
4. Ο εισαγωγέας/πωλητής διατηρεί το δικαίωμα να αρνηθεί τη βοήθεια εγγύησης σε περίπτωση που οι πληροφορίες αυτές έχουν διαγραφεί ή τροποποιηθεί μετά την αρχική αγορά του προϊόντος.
5. Η ευθύνη του εισαγωγέα/πωλητή περιλαμβάνει ιδίως τα έξοδα επισκευής ή/και αντικατάστασης της μονάδας που καλύπτεται από την εγγύηση με την επιφύλαξη του δικαιώματος αντικατάστασης της με ισοδύναμο προϊόν, σε περιπτώσεις όπου δεν είναι δυνατή η επισκευή της.
6. Η εγγύηση δεν ισχύει για προβλήματα που δεν σχετίζονται άμεσα με ελαττώματα υλικού, σχεδιασμού ή κατασκευής.
7. Αυτό το προϊόν είναι συσκευή και προορίζεται μόνο για οικιακή χρήση. Η εγγύηση θα είναι άκυρη εάν το προϊόν χρησιμοποιείται για επαγγελματικούς σκοπούς.
8. Η εγγύηση δεν καλύπτει ζημιές που προκαλούνται από κακή χρήση, ακατάλληλη εγκατάσταση, διαρροή, εξωτερικούς παράγοντες ή σκόπιμη ζημιά.
9. Η εγγύηση δεν καλύπτει ζημιές που προκύπτουν από πτώσεις, χρήση υπερβολικής δύναμης, χτυπήματα, έκθεση σε ακραίες περιβαλλοντικές συνθήκες ή φθορά που προκαλείται από την κανονική χρήση πλαστικών μερών ή πληκτρολογίων, καθώς και τη χρήση μπαταριών άλλων από αυτές που καθορίζονται στο παρόν εγχειρίδιο.
10. Η εγγύηση δεν καλύπτει την εγκατάσταση και τον προγραμματισμό από τον αντιπρόσωπο. Ειδικότερα, δεν μπορεί να γίνει δεκτή καμία αξίωση εγκατάστασης και δωρεάν προγραμματισμού από τον μεταπωλητή.
11. Η εγγύηση δεν καλύπτει ελλείψεις που επηρεάζουν ασήμαντα τη λειτουργία της συσκευής. Άλλα έξοδα, όπως η εγκατάσταση, η μεταφορά και η μετακίνηση του τεχνικού εξαιρούνται ρητά από την εγγύηση.
12. Η δυνατότητα εφαρμογής της εγγύησης προϋποθέτει ότι η συσκευή αποστέλλεται στον πωλητή ή τον τόπο που υποδεικνύεται από αυτόν, πλήρης και σε καλά προστατευμένη συσκευασία (ει δυνατόν, στην αρχική συσκευασία της) και συνοδεύεται από το φύλλο ή την κάρτα εγγύησης που έχει συμπληρωθεί δεόντως και απόδειξη αγοράς.
13. Εάν μετά την επαλήθευση, διαπιστωθεί ότι δεν υπάρχουν λόγοι για τον ισχυρισμό ή ότι το προϊόν δεν είναι ελαττωματικό, το εγγενές κόστος θα καταλογιστεί στον πελάτη και ο έμπορος εξουσιοδοτείται να χρεώσει αυτά τα έξοδα στον πελάτη.
14. Η εγγύηση θα είναι άκυρη όταν εμφανίζει ενδείξεις ότι ένα μη εξουσιοδοτημένο άτομο έχει επιχειρήσει να πραγματοποιήσει επισκευές, τροποποιήσεις ή αντικατάσταση εξαρτημάτων στη συσκευή.
15. Οι επισκευές που πραγματοποιούνται μετά το τέλος της περιόδου εγγύησης υπόκεινται σε έξοδα.
16. Η παρούσα εγγύηση δεν επηρεάζει τα νόμιμα δικαιώματά σας που ενδέχεται να έχετε ως καταναλωτή σύμφωνα με το εφαρμοστέο εθνικό δίκαιο που διέπει την αγορά προϊόντων όπου πωλείται το προϊόν.
17. **Περίοδος εγγύησης:**

**Χώρες της Ευρωπαϊκής Ένωσης** - Οι ευρωπαϊκές οδηγίες (ΕΕ) 2019/771 και (ΕΕ) 2019/770 εφαρμόζονται σε ορισμένες πτυχές των συμβάσεων αγοράς και πώλησης κινητών αγαθών και μεταφέρονται στην εθνική νομοθεσία των χωρών τους.

**Άλλες χώρες** - εφαρμόζεται εθνική νομοθεσία για τα δικαιώματα των καταναλωτών στη χώρα τους. Σε περίπτωση μη επίσημης νομοθεσίας, η εγγύηση εφαρμόζεται κατά τη διακριτική ευχέρεια του εισαγωγέα που διαθέτει το προϊόν στην αγορά ή στην εγκατάσταση πωλητή.

## Information requirement for the electric local space heaters

Model identifier(s): OH-009.006A / OH-011.007A					
Item	Symbol	Value	Unit	Item	Unit
<b>Heat output</b>				Type of heat input, for electric storage local space heaters only	
Nominal heat output	Pnom	2.0 / 2.5	kW	manual heat charge control, with integrated thermostat	No
Minimum heat output (indicative)	Pmin	1.0 / 1.2	kW	manual heat charge control with room and/or outdoor temperature feedback	No
Maximum continuous heat output	Pmax,c	2.0 / 2.5	kW	electronic heat charge control with room and/or outdoor temperature feedback	No
<b>Auxiliary electricity consumption</b>				fan assisted heat output	
At nominal heat output	elmax	N/A	kW	Type of heat output/room temperature control	
At minimum heat output	elmin	N/A	kW	single stage heat output and no room temperature control	No
In standby mode	eISB	N/A	kW	Two or more manual stages, no room temperature control	No
				with mechanic thermostat room temperature control	Yes
				with electronic room temperature control	No
				electronic room temperature control plus day timer	No
				electronic room temperature control plus week timer	No
				Other control options	
				room temperature control, with presence detection	No
				room temperature control, with open window detection	No
				with distance control option	No
				with adaptive start control	No
				with working time limitation	No
				with black bulb sensor	No
Contact details	HAEGERTEC, s.a. Praceta Cidade de Londres, 1 - Parque Industrial do Arneiro, 2660-456 S. Julião do Tojal - PORTUGAL				

# Meet the family



## HAEGERTEC, s.a.

Edifício HAEGER – Pct. Cidade de Londres, 1  
Parque Industrial do Arneiro  
2660-456 S. Julião do Tojal  
PORTUGAL  
<https://www.haegergroup.com>

Tel: +351 21 949 83 00 (PBX)  
Tel: +351 21 949 83 02 (after sales support)  
Fax: +351 21 949 83 25  
e-mail: [assistencia@haegergroup.com](mailto:assistencia@haegergroup.com)  
e-mail: [comercial@haegergroup.com](mailto:comercial@haegergroup.com)



2208OHELAN Series-EU